



www.grepool.com

- ▶ **EN RECHARGEABLE BATTERY ROBOT**
- ▶ **ES ROBOT A BATERÍA RECARGABLE**
- ▶ **FR ROBOT À BATTERIE RECHARGEABLE**
- ▶ **DE ROBOTER MIT WIEDERAUFLADBAREN BATTERIEN**
- ▶ **IT ROBOT A BATTERIA RICARICABILE**
- ▶ **NL ROBOT MET OPLAADBARE ACCU**
- ▶ **PT ROBOT COM BATERIA RECARREGÁVEL**
- ▶ **PL ROBOT-ODKURZACZ Z ZASILANIEM AKUMULATOROWYM**



Ref. RBR60

**Owner's Manual - Manual de Instrucciones
Manuel d'instructions - Bedienungsanleitung
Manuale delle istruzioni - Handleiding met instructies
Manual de instruções**

DISTRIBUTED BY / DISTRIBUIDO POR / DISTRIBUÉ PAR / VERTRIEB DURCH / DISTRIBUITO DA / GEDISTRIBUEERD DOOR / DISTRIBUÍDO POR / WYPRODUKOWANY PRZEZ:
MANUFACTURAS GRE, S.A. ARITZ BIDEA N° 57 BELAKO INDUSTRIALDEA, APARTADO 69 - 48100 MUNGUIA (VIZCAYA) ESPAÑA N° Reg. Ind. 48-06762
MADE IN CHINA / FABRICADO EN CHINA / FABRIQUÉ AU CHINE / HERGESTELLT IN CHINA / PRODOTTO IN CHINA / GEPRODUCEERD IN CHINA / FABRICADO NA RPC

SAFETY WARNING

When installing and using this electrical equipment, you should always follow the basic safety precautions. Please read the following carefully.

WARNING

The cleaner is not a toy, and is operated by people older than 8 years age.

Any people who operates the cleaner, has to read the manual carefully before work it.

1. The cleaner is designed to clean the swimming pool, SPA.
2. Please use the original batteries and charger when using.
3. Only charging it when the cleaner is power off.
4. Put the cleaner into a clean and dry place. Do not expose it under the sun, or close to explosive.
5. The filter bag is easy to be broken when there is sharp substances under water.
6. The cleaner automatically stops to work when it is out of water.
7. Do not close to the vacuum head when it is working, due to its suction power, especially for the human body, animals, hairs or clothes.
8. Do not disassemble the cleaner without professional guidance or notice from the authorized distributor or manufacturer.
9. Do not leak the lubricant oil, and it causes water polluted.
10. Stop to work the cleaner when there is anything wrong; Please contact with the authorized distributor or replace it to the original parts/accessories.
11. Cleaner working conditions:
 - 11.1 Maximum applicable water depth: 3 m (10 ft)
 - 11.2 Water temperature: 4°C (39.2°F) -35°C (95°F)

1. Charger

When installing and using this electrical equipment, you should always follow the basic safety precautions. Please read the following carefully:

1. Use the original charger provided only.
2. For indoor use only. The charger should not be used outdoor and not be exposed to rain, humidity, any liquid or heat.
3. Keep the charger out of children.
4. Never use the charger if any damage is found.
5. Do not handle the cleaner and charger with wet hands and bare feet, when charging the cleaner.
6. Disconnect the charger from power when not in use.
7. If the wire is damaged, it must be replaced by a new charger to avoid danger.
8. Make sure the cleaner and charger are totally dry before charging.
9. Charge the cleaner 4-5 hours prior to the first use. Normally cleaner can be operated about 60 minutes after fully charged.

2. Battery disposal

1. The cleaner battery is a lithium battery, it must be disposed properly, please contact with your local authority for more information.
2. Never attempt to disassemble the lithium battery without the authorization of qualified personnel, service personnel or the manufacturer

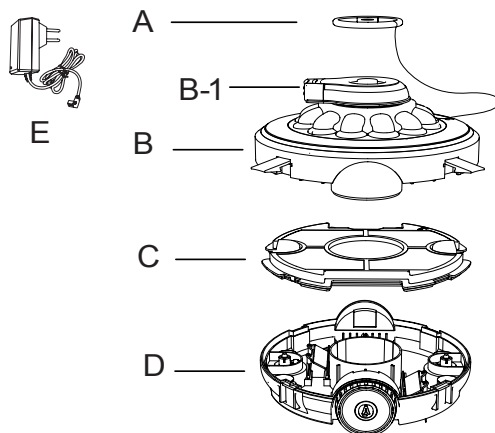
Above warning and cautions are not intended to incorporate all possible instances for risks and/or severe injury.

Pool/spa owners should always exercise intensive caution and common sense when operating the cleaner.

INSTRUCTION MANUAL

ASSEMBLY

- A: Floater
- B: Upper cover
- B-1: Jet head
- C: Filter
- D: Bottom base
- E: Charger

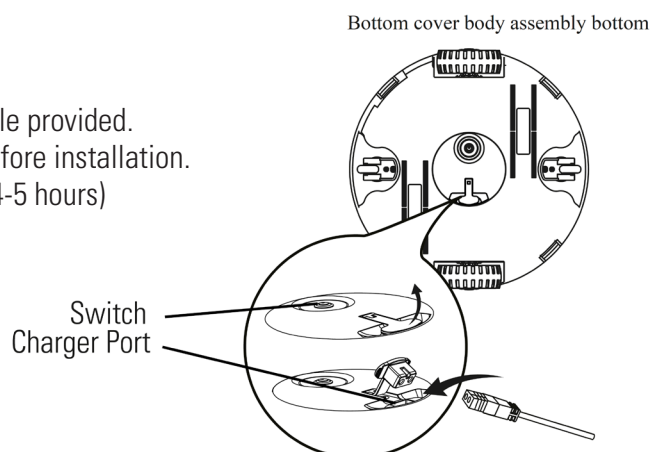


There is a rotation jet head at the upper cover, the water is passing from bottom to the jet head to make the robot moving. While facing obstacle, the jet head turns around 180 degrees, the robot rounds the obstacle and moving by another line. The rubbish is collected and installed by the bottom filter cabine.

ASSEMBLY AND OPERATION

Charging warning

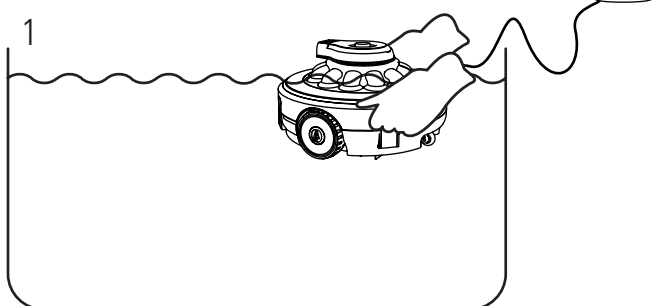
- Use only the original external adapter and the charging cable provided.
- Make sure the robot and charger ports are clean and dry before installation.
- Power up the robot before using it for the first time (about 4-5 hours)



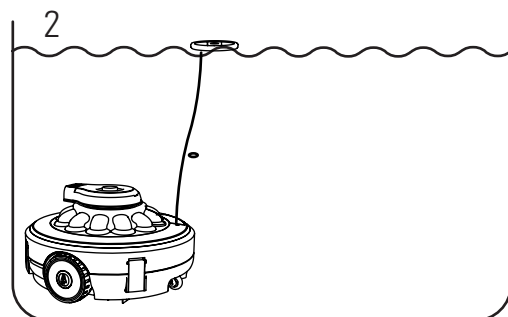
Note:

Once the robot starts charging, the indicator light on the external adapter will turn red. When the robot is fully charged, the indicator light will turn green.

Power on

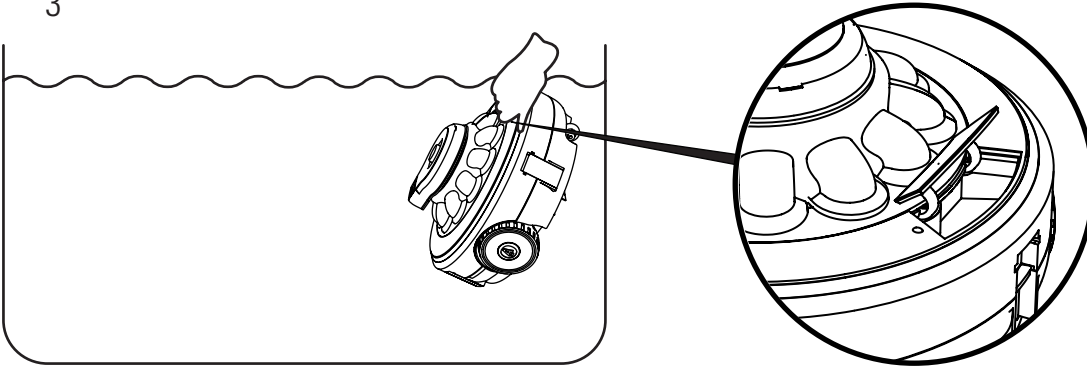


Turn on the switch, loosen the rope on the float, put the robot horizontally into the pool, and wait for the robot to sink freely to the bottom. (if the product is not put into the water, the machine will not rotate because the machine has the function of "stop when leaving water").



Adjust the length of the rope to ensure that the length of the rope is at the same height as the water level, and the extra length of the rope is tied or cut short.

3



Adjust the length of the rope to ensure that the length of the rope is at the same height as the water level, and the extra length of the rope is tied or cut short.

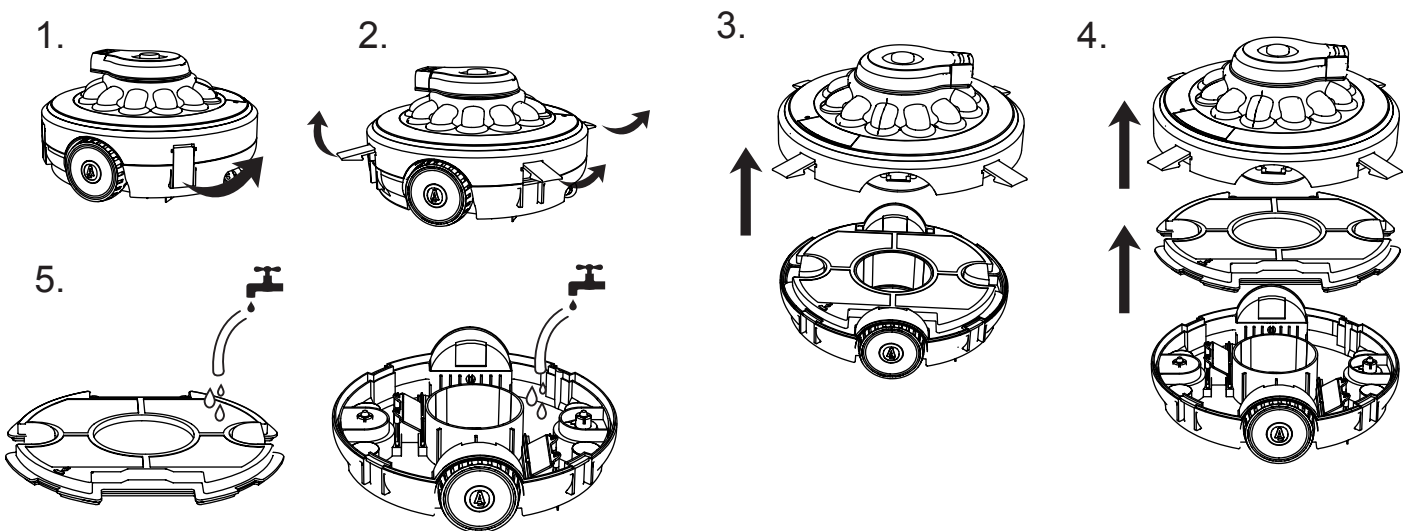
When the robot has no power, it will automatically stop at the edge of the pool.(may also get stuck in the middle of the pool by obstacles)

Note:

1. It is recommended to turn off the filtration system as the water circulation in the pool may affect the robot's motion mode.
2. Any obstacle in the swimming pool will affect the robot's crawling and cleaning track, such as ladder;
3. If you are using a brine tank, make sure that all the salt is dissolved before putting the robot into the water.

For correct operation of the device the floor must be completely flat and there must not be any wrinkles in the liner (fabric containing the water), in the case that the pool is made of this material

GARBAGE DISPOSAL



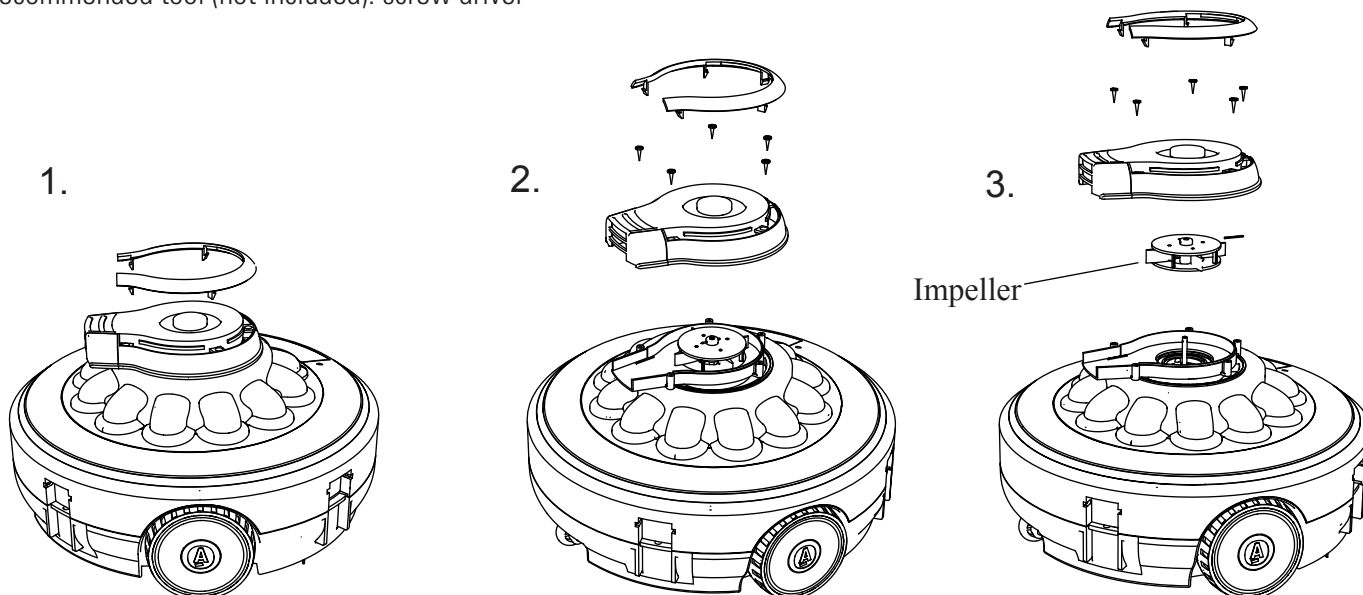
MAINTENANCE AND STORAGE

1. The battery discharges itself during storage. Make sure the robot is fully charged before storage.
2. When not in use, you must recharge the battery at least every three months.
 - Unplug the external adapter from the socket and then the charging cable from the external adapter and the robot.
 - Remove the attachment from the robot. If necessary, rinse the robot and accessories with clean water. Do not use detergent.
 - Before storage, make sure the robot is drained.
 - Use a wet cloth to clean and dry the robot and its accessories.
 - Store in a well ventilated place away from sunlight, heat, fire sources, pool chemicals and children.
 - The storage environment temperature should be 10 °C – 25 °C (50 °C– 77 °C).

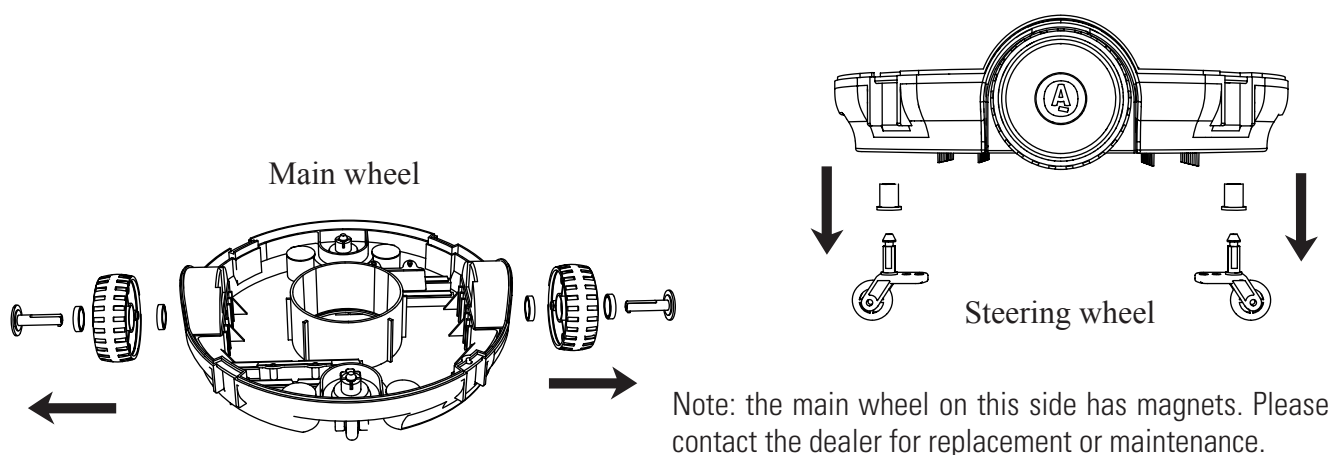
Note: higher storage temperatures may shorten battery life.

Maintenance and replacement of impeller

Recommended tool (not included): screw driver



Maintenance and replacement of wheels



Battery Assembly And Replacement

Attention!

Do not treat electrical appliances as unclassified municipal waste. Use separate collection facilities. For information on available collection systems, contact your local authorities.

- Do not remove the lithium battery without authorization.
- When removing the lithium battery from the vacuum device, please remove any rings, bracelets, necklaces or watch that you are wearing.
- The short-circuit current generated by a battery is enough to suck up rings (or similar items), which can cause severe burns
- Before removing the battery pack, please wear eye protection, gloves and protective clothing.
- Be careful not to touch the wire or any metal parts, as this can cause sparks or a short circuit
- Do not smoke or light naked flames near the robot, as this can set the battery on fire and give off gas
- Avoid exposing the battery to fire or high temperatures, as this could cause an explosion.

Note!

If the battery leaks, avoid contact with the damaged battery and put it in a plastic bag.

If skin or clothing comes into contact with acid, wash immediately with plenty of soap and water.

If the eyes come into contact with acid, rinse them with water for at least 15 minutes and seek treatment from a doctor.

TROUBLE SHOOTING

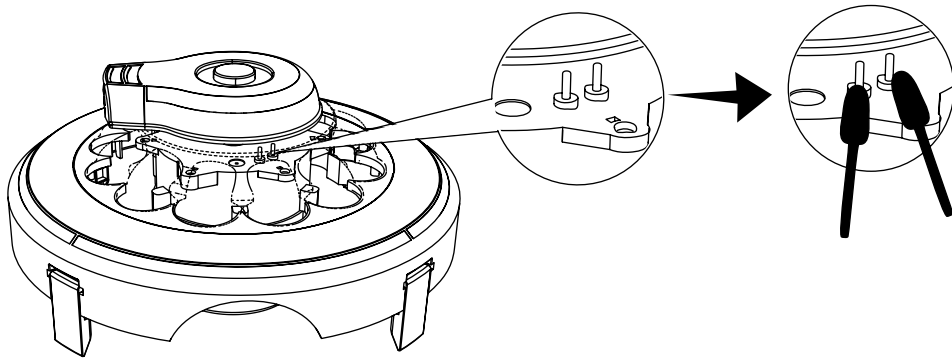
If you have problems with your cleaner, follow the troubleshooting steps below to restore performance. Note: turn off the power before making any repairs.

PROBLEM	POSSIBLE CAUSES	SOLUTION
Robots don't capture debris.	The battery is low.	Then charge the robot.
	Impeller stuck.	Turn off the power supply of the robot and visually check whether the impeller rotates. If necessary, contact your dealer for further instructions. Warning! Before servicing the equipment, make sure that the robot is turned off.
	Impeller damaged.	Please contact your dealer for replacement.
	The glove box is full.	Clean the glove box and filter cover.
The robot stops moving in the middle of the pool (the rotating head is still turning).	The robot was stopped by an obstacle.	Check the cleaner for obstructions. Remove obstacles.
	The robot is blocked by the suction of the main pool floor drain.	Turn off the filtration system (see instructions in the manual).
	The ground is not totally flat	It takes more minutes before moving again or Make the bottom of the pool flat or trim the bottom brush strip. Contact your dealer for replacement parts.
The robot cannot cover the entire pool / move along the wall of the pool.	The glove box is full.	Clean the glove box and filter cover.
	The operation time was shorter than expected.	Clean the filter chamber and recharge the robot for 4-5 hours
	The water circulation generated by the filtration system interrupts the direction of movement.	Turn off the filtration system (see instructions in the manual).
	The wheel is stuck.	Check and remove debris from the wheels.
The robot moves slowly.	The glove box is full.	Clean the glove box and filter cover.
The turning head does not rotate or rotates obviously slowly.	The bottom of the swivel is stuck.	The glove box is full, check and remove any debris that may be stuck under the rotating head. It can be rotated by hand and rinsed with water until smooth.
	The glove box is full.	Clean the glove box and filter cover.
The debris escaped from the robot.	The valve of the suction nozzle (bottom of the cleaner) is broken.	The baffle at the suction cup is like a door to prevent debris from escaping from the debris chamber. Contact your dealer for replacement parts and instructions.
Debris enters the outside of the filter cover.	The filter cover is damaged.	Replace the filter cover with a new one. Please contact your dealer for replacement parts.

PROBLEM	POSSIBLE CAUSES	SOLUTION
The robot can't charge.	Battery damage.	Please contact the dealer to replace the battery. Warning! Don't turn on the robot and replace the battery yourself. This can cause serious or fatal injury, so the warranty will not be valid.
	The charging cable is not fully connected to the external adapter and the robot.	Make sure the charger cable is properly and completely connected to the external adapter and robot. Please refer to the user manual.
	The external adapter is broken.	Contact the dealer for replacement. Warning! Using the wrong external adapter will result in damage to the robot / battery and void the warranty.
The robot can still work without water.	The water of the robot is not dry, and the contact is short circuited, so the robot can still work without water.	Leave it outside the water for a few seconds and wait for the water to dry
	There is garbage at the contact point, such as wet hair, which causes short circuit of the contact.	Remove hair and other rubbish with tools
	Circuit board damaged	Please contact the dealer for replacement.

PROBLEM	POSSIBLE CAUSES	SOLUTION
If the charger shows red light all the time, it cannot change to green light more than 8h.	Battery damage.	Please contact the dealer to replace the battery. Warning! Don't turn on the robot and replace the battery yourself. This can cause serious or fatal injury, so the warranty will not be valid.
If the charger change to green light in a very short time, and the device also only work for a short time (within half an hour, need multiple validation).		
When the product starts to charge after the work is over,if the charger shows green light all the time. (Make sure the charger cable is properly and completely connected to the external adapter and robot.)	Charger is damaged.	Contact the dealer for replacement. Warning! Using the wrong external adapter will result in damage to the robot / battery and void the warranty.
If the charger light does not light any more.		
Switch not working or out. *	There is rubbish around the sener or sener oxidataion.	Cleaning the senser by a paper, or a cloth, or a brush, as pics; or see video online.

*



ADVERTENCIA DE SEGURIDAD

Cuando instale y utilice este dispositivo eléctrico, siga siempre las precauciones básicas de seguridad. Lea con detenimiento la siguiente información.

ADVERTENCIA

El limpiafondos no es un juguete y debe manejarlo una persona mayor de 8 años.

Toda persona que maneje el limpiafondos debe leer el manual con detenimiento antes de utilizarlo.

- (1) El limpiafondos está diseñado para limpiar piscinas y spa.
- (2) Utilice solo las baterías y el cargador originales cuando lo utilice.
- (3) Cargue la batería únicamente cuando el limpiafondos esté apagado.
- (4) Guarde el limpiafondos en un lugar limpio y seco. No lo exponga a la luz solar ni lo coloque cerca de explosivos.
- (5) La bolsa del filtro se rompe con facilidad si hay elementos afilados dentro del agua.
- (6) El limpiafondos se detiene automáticamente al estar fuera del agua.
- (7) No sitúe nada cerca de la tapa de aspirado cuando está en funcionamiento, debido a su potencia de succión, en especial partes del cuerpo, animales, cabello o prendas.
- (8) No desmonte el limpiafondos sin asistencia profesional o aviso del distribuidor autorizado o del fabricante.
- (9) No deje que se filtre el aceite lubricante, contamina el agua.
- (10) No utilice el limpiafondos si hay algún problema. Póngase en contacto con el distribuidor autorizado o sustituya con las piezas o accesorios originales.
- (11) Condiciones operativas del limpiafondos:
 - (11) - 1 Profundidad máxima del agua: 3 m (10 ft)
 - (11) - 2 Temperatura del agua: 4 °C (39,2 °F) - 35 °C (95 °F)

1. Cargador

Cuando instale y utilice este dispositivo eléctrico, siga siempre las precauciones básicas de seguridad. Lea detenidamente las siguientes instrucciones

- (1) Utilice únicamente el cargador original.
- (2) Uso exclusivo en interiores. El cargador no debe utilizarse en exteriores y no debe estar expuesto a la lluvia, a la humedad, a líquidos o al calor.
- (3) Mantenga el cargador fuera del alcance de los niños.
- (4) No utilice el cargador si detecta algún daño.
- (5) No manipule el limpiafondos ni el cargador con las manos húmedas ni con los pies descalzos cuando el limpiafondos esté en carga.
- (6) Desconecte el cargador de la corriente cuando no lo utilice.
- (7) Si el cable está dañado, debe sustituirse por un cargador nuevo para evitar peligros.
- (8) Asegúrese de que el limpiafondos y el cargador están completamente secos antes de la carga.
- (9) Cargue el limpiafondos durante 4-5 horas antes del primer uso. Normalmente, el limpiafondos funciona unos 60 minutos cuando la batería está completamente cargada.

2. Retirada de la batería

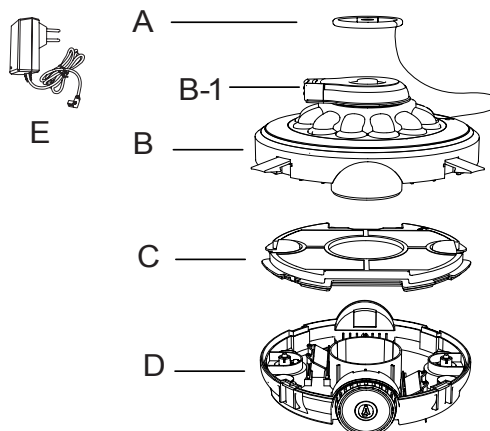
- (1) La batería del limpiafondos es de litio y se debe retirar de la forma adecuada; **póngase en contacto con la administración local para más información.**
- (2) **Nunca trate de desmontar la batería de litio sin autorización del personal cualificado, personal de servicio o el fabricante.**

Las advertencias y las precauciones anteriores no pretenden ser exhaustivas ni recoger todos los supuestos de riesgos ni de lesiones graves. Los propietarios de las piscinas o spa deben prestar en todo momento una atención plena y aplicar el sentido común al manejar el limpiafondos.

MANUAL DE INSTRUCCIONES

MONTAJE

- A: Flotador
- B: Cubierta superior
- B-1: Cabezal de chorro
- C: Filtro
- D: Base inferior
- E: Cargador



El cabezal del chorro se encuentra en la cubierta superior. El agua pasa desde la parte inferior hasta el cabezal para que el robot avance. Cuando se encuentra con un obstáculo, el cabezal gira 180°, lo que hace que el robot esquive el obstáculo y se desplace por otra línea. El filtro inferior recoge y almacena los desperdicios en un recipiente.

MONTAJE Y FUNCIONAMIENTO

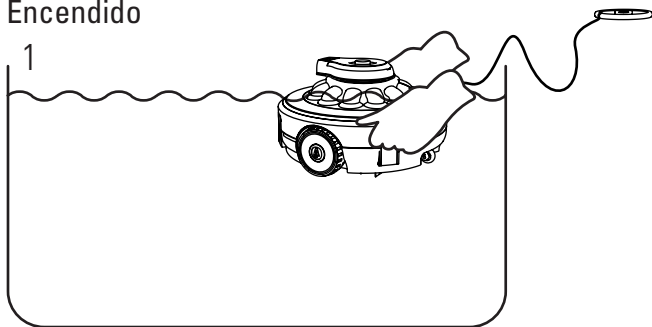
Advertencia de carga

- Utilice únicamente el adaptador externo y el cable de carga originales que acompañan al dispositivo.
- Asegúrese de que tanto el robot como los puertos de carga estén limpios y secos antes de la instalación.
- Cargue por completo la batería del robot antes de utilizarlo por primera vez (unas 4 o 5 horas).

Nota:

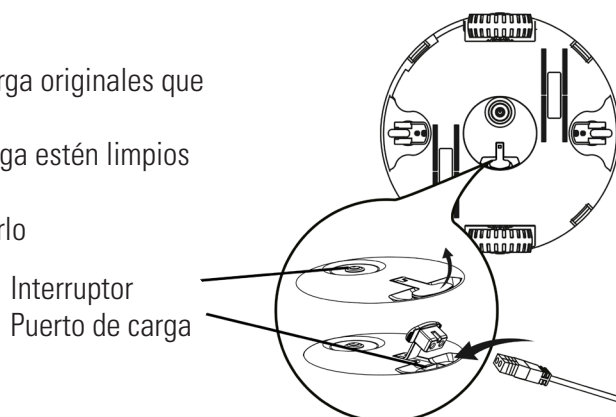
Cuando el robot empieza a cargar, se ilumina en rojo el piloto del adaptador externo. Cuando la batería esté prácticamente cargada, el indicador se ilumina en verde.

Encendido

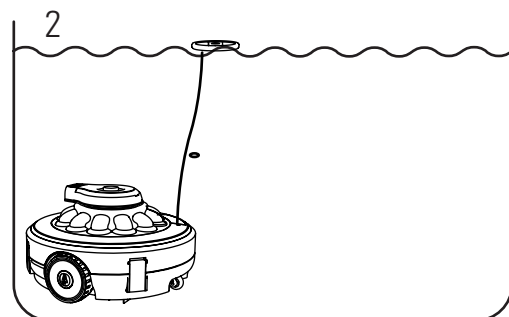


1. Pulse el interruptor, suelte la cuerda del flotador, coloque el robot en posición horizontal dentro de la piscina y espere a que se sumerja por sí mismo hasta el fondo. (Si el dispositivo no se introduce en el agua, la máquina no rota porque cuenta con una función específica de detención si no está en el agua).

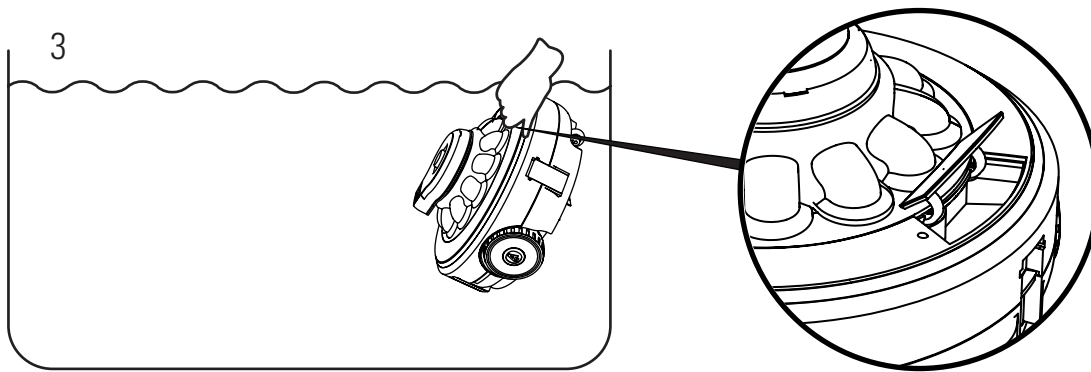
Vista inferior del dispositivo



Interruptor
Puerto de carga



2. Ajuste la longitud de la cuerda para asegurarse de que está a la misma altura que el nivel del agua y ate o corte la cuerda sobrante.



Abra esta trampilla para sujetar el robot y extraerlo con facilidad

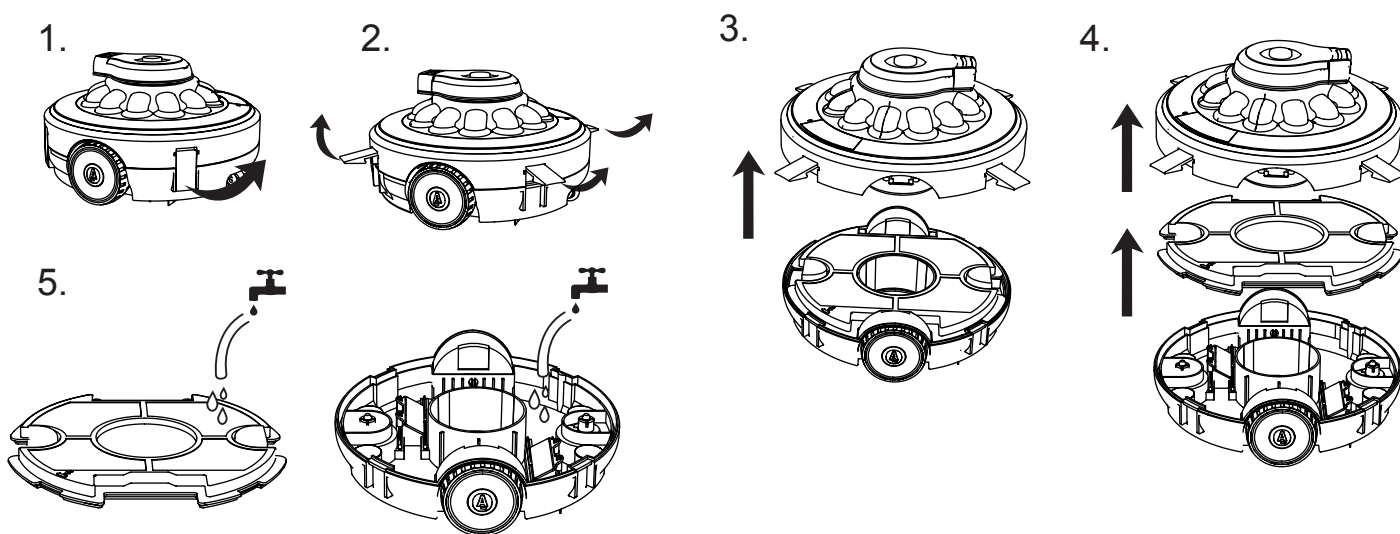
Cuando el robot se queda sin batería, se detiene de forma automática en el borde de la piscina. También se puede detener en medio de la piscina debido a algún obstáculo.

Nota:

1. Es recomendable desactivar el sistema de filtrado de la piscina, ya que la circulación del agua en ella puede afectar al desplazamiento del robot.
2. Los obstáculos presentes en la piscina, por ejemplo las escaleras, afectarán al deslizamiento y al trazado de limpieza del robot.
3. Si utiliza un depósito de sal, cerciőrese de que se ha disuelto toda la sal antes de introducir el robot en el agua.

Para el correcto funcionamiento del aparato el suelo debe ser completamente plano y no deben existir arrugas en el liner (funda que contiene el agua), en caso de tratarse de una piscina con revestimiento de material.

RETIRADA DE DESPERDICIOS



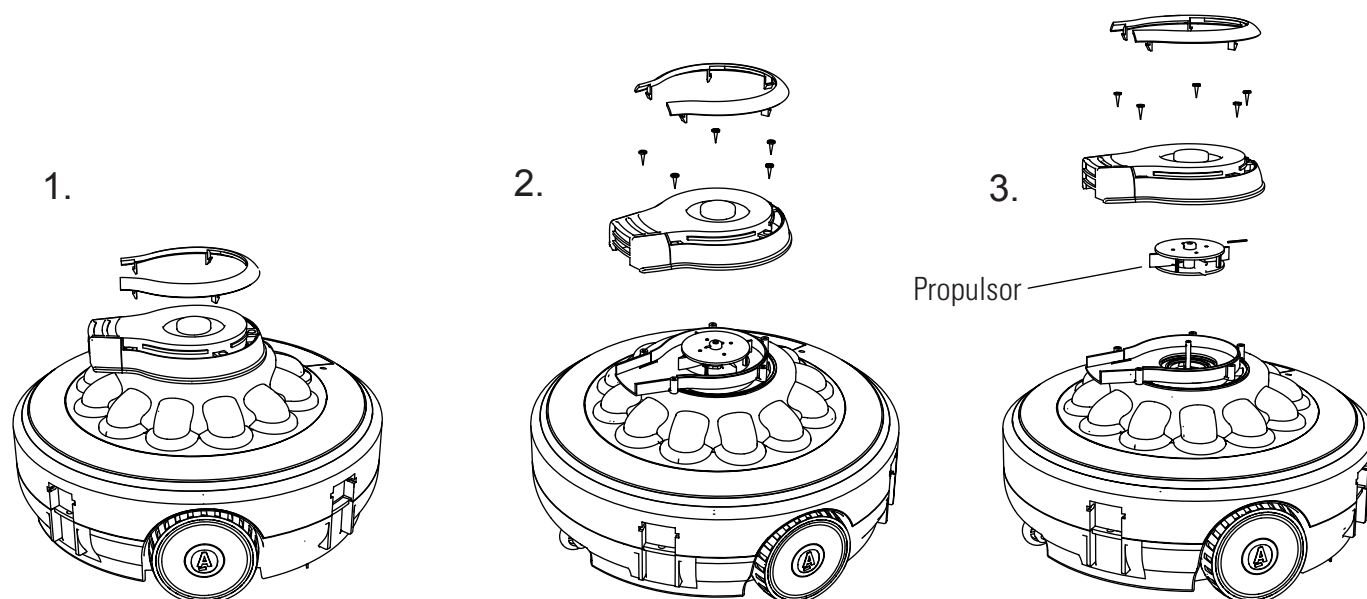
MANTENIMIENTO Y ALMACENAJE

1. La batería se descarga sola cuando el dispositivo está guardado. Asegúrese de que el robot está completamente cargado antes de guardarlo.
2. Recargue la batería al menos una vez cada tres meses aunque no utilice el dispositivo.
 - Desenchufe el adaptador externo de la toma y el cable de carga del adaptador externo y del robot.
 - Retire los accesorios del robot. Si es necesario, aclare el robot y sus accesorios con agua limpia. No utilice detergente.
 - Antes del almacenamiento, cerciőrese de que el robot está drenado.
 - Utilice un paño húmedo para limpiar el robot y los accesorios y séquelos.
 - Guárdelo en un lugar bien ventilado, protegido de la luz solar, del calor, de fuentes de ignición, de productos químicos de la piscina y de los niños.
 - La temperatura de almacenamiento debe estar entre los 10 °C y los 25 °C (50 °F – 77 °F).

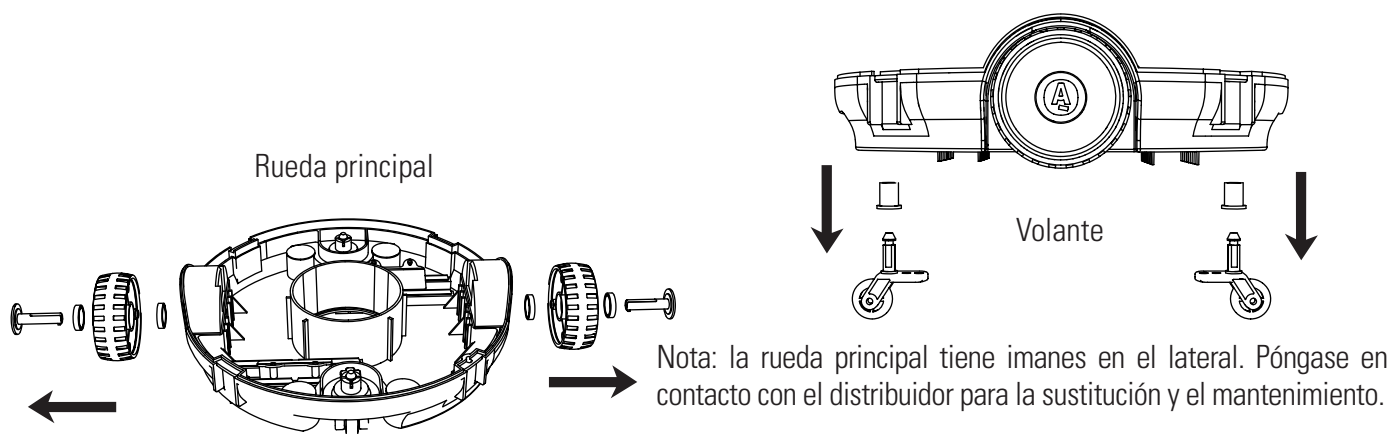
Nota: Si la temperatura de almacenamiento es superior, la duración de la batería puede acortarse.

Mantenimiento y sustitución del propulsor

Herramienta recomendada (no incluida): destornillador



Mantenimiento y sustitución de las ruedas



Montaje y reemplazo de la batería

¡Atención!

No deseche los aparatos eléctricos en contenedores generales de basura; llévelos a los puntos de reciclaje correspondientes. Si necesita más información sobre los sistemas de reciclaje disponibles, puede ponerse en contacto con el gobierno local .

- No saque la batería de litio sin autorización..
- Antes de retirar la batería de litio del dispositivo de aspiración, deberá quitarse cualquier anillo, pulsera, collar o reloj..
- La batería puede generar una corriente de cortocircuito suficientemente potente como para adsorber un anillo (o artículos similares) y causar quemaduras graves.
- Le recomendamos el uso de protección ocular, guantes y un equipo de protección para retirar el paquete de la batería.
- Aléjese del cable o de cualquier parte metálica, ya que se pueden generar chispas o un cortocircuito.
- No fume e intente no prender ninguna chispa o llama cerca del limpiafondos, ya que la batería podría prender fuego y eso producirá gas
- Evite exponer la batería al fuego o a temperaturas altas; de lo contrario podría explotar.

Importante

En caso de una fuga en la batería, evite tocar la batería dañada y póngala en una bolsa de plástico.

Si el ácido entra en contacto con la piel o la ropa, lávelas inmediatamente con abundante agua y jabón.

Si sus ojos entran en contacto con el ácido, acláreselos con agua durante al menos 15 minutos y acuda a un médico.

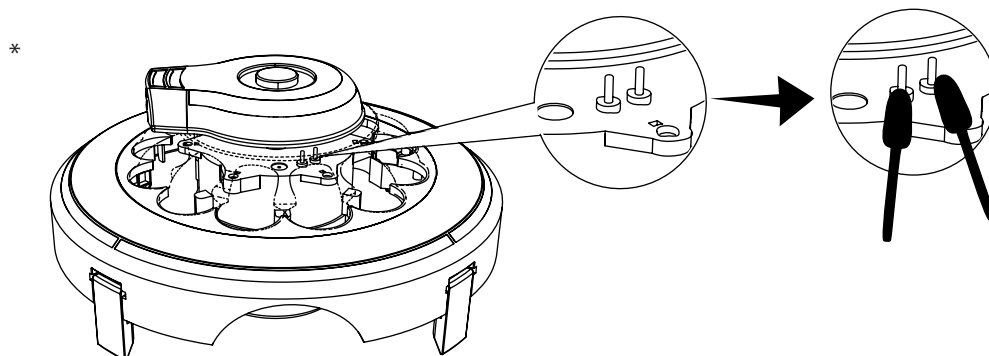
RESOLUCIÓN DE PROBLEMAS

Si tiene problemas con el limpiafondos, siga estos pasos para recuperar su rendimiento, Nota: apague el dispositivo antes de repararlo.

Problema	Causas posibles	Solución
El robot no atrapa los residuos.	La batería está baja.	Cargue la batería.
	El propulsor está obstruido.	Apague el robot y compruebe visualmente si el propulsor gira. Si necesita más indicaciones, póngase en contacto con su distribuidor. Advertencia: antes de revisar el dispositivo, asegúrese de que está apagado.
	El propulsor está dañado.	Póngase en contacto con el distribuidor para la sustitución.
	El compartimento está lleno.	Limpie el compartimento y la cubierta del filtro
El robot deja de moverse en medio de la piscina, pero el cabezal rotativo sigue girando.	El robot se ha detenido por un obstáculo.	Compruebe si el limpiafondos está obstruido. Retire los obstáculos.
	El robot está bloqueado por el sumidero de succión del fondo de la piscina.	Desactive el sistema de filtración (consulte el manual de instrucciones).
	El fondo no es completamente plano.	Necesita más minutos antes de volverse a mover o Alise el suelo o recorte la banda de escobillas inferior. Póngase en contacto con el distribuidor para las piezas de sustitución.
El robot no cubre la piscina completa o no se desplaza a lo largo de la pared de la piscina.	El compartimento está lleno.	Limpie el compartimento y la cubierta del filtro.
	El periodo operativo es más corto de lo previsto.	Limpie la cámara de filtrado y cargue la batería del robot durante 4 o 5 horas.
	La circulación del agua debida al sistema de filtrado interrumpe la dirección de desplazamiento	Desactive el sistema de filtración (consulte el manual de instrucciones).
	La rueda está atascada.	Compruebe si hay residuos en las ruedas y, si es así, retírelos.
El robot se mueve despacio.	El compartimento está lleno.	Limpie el compartimento y la cubierta del filtro.
El cabezal rotatorio no gira o lo hace claramente despacio.	El fondo basculante está atascado	El compartimento está lleno. Compruebe si debajo del cabezal rotatorio hay residuos y retírelos en ese caso. Se puede girar a mano y aclarar con agua hasta que se mueva con suavidad.
	El compartimento está lleno.	Limpie el compartimento y la cubierta del filtro.
Los residuos salen del robot.	La válvula de la boquilla de succión (en la parte inferior del robot) está rota.	El deflector de la ventosa ejerce de puerta para evitar que los residuos salgan del compartimento. Póngase en contacto con el distribuidor para las piezas y las instrucciones de sustitución.
Los residuos pasan al exterior de la cubierta del filtro.	La cubierta del filtro está rota.	Sustituya la cubierta del filtro por una nueva. Póngase en contacto con el distribuidor para las piezas de sustitución.

Problema	Causas posibles	Solución
El robot funciona fuera del agua.	El robot sigue teniendo agua en el interior y el contacto está cortocircuitado, así que el robot continúa funcionando sin agua.	Sáquelo del agua durante unos segundos y espere a que se seque el agua.
	Hay residuos en el punto de contacto, como cabello mojado, que cortocircuita el contacto.	Elimine el cabello y el resto de residuos con herramientas.
	La placa de circuito impreso está dañada.	Póngase en contacto con el distribuidor para la sustitución.

Problema	Causas posibles	Solución
Si el cargador muestra un piloto rojo fijo, no puede cambiar a la luz verde más de 8 horas.	La batería está dañada	Póngase en contacto con el distribuidor para sustituir la batería. Atención: no encienda el robot ni sustituya la batería por sí mismo. Puede causar lesiones graves o mortales, así que la garantía no será válida.
Si el cargador pasa a tener una luz verde en muy poco tiempo y el dispositivo también funciona solo durante un periodo breve (una media hora, necesita validación múltiple).		
Cuando el producto comience a cargar una vez terminado el trabajo, si el cargador muestra un piloto verde continuo. (Asegúrese de que el cable del cargador está conectado por completo y de forma correcta al adaptador externo y al robot).	El cargador está dañado	Póngase en contacto con el distribuidor para su sustitución. Atención: si utiliza un cargador externo incorrecto, puede dañar el robot o la batería y anular la garantía..
Si el cargador ya no se ilumina		
Al enchufarlo no funciona. *	Hay porquería u óxido alrededor del sensor.	Limpiar el sensor con un papel un paño o un cepillo, como en la foto, y ver el video online.



Au moment d'installer et d'utiliser cet appareil électrique, il est impératif de suivre les consignes de base de sécurité. Lisez attentivement les informations suivantes.

AVERTISSEMENT

Le nettoyeur n'est pas un jouet et seules les personnes âgées de plus de 8 ans peuvent l'utiliser.

Avant de manipuler le nettoyeur, il est nécessaire de lire attentivement le manuel d'utilisation.

- (1) Le nettoyeur est conçu pour nettoyer les piscines et les spas.
- (2) Utilisez uniquement les batteries et le chargeur originaux.
- (3) Chargez la batterie uniquement lorsque le nettoyeur est éteint.
- (4) Conservez le nettoyeur dans un lieu propre et sec. Ne pas l'exposer au rayonnement solaire et ne pas le placer près d'explosifs.
- (5) La poche du filtre se casse facilement avec des éléments tranchants présents dans l'eau.
- (6) Le nettoyeur s'arrête automatiquement en dehors de l'eau.
- (7) Ne rien placer près du couvercle d'aspiration lorsque l'appareil est en marche en raison de sa puissance de succion, en particulier des parties du corps, animaux, cheveux ou vêtements.
- (8) Ne pas démonter le nettoyeur sans une assistance professionnelle ou les indications du distributeur autorisé ou du fabricant.
- (9) Empêchez la filtration de l'huile lubrifiante étant donné qu'elle pollue l'eau.
- (10) N'utilisez pas le nettoyeur en cas de problème. Contactez le distributeur autorisé ou remplacez avec les pièces ou accessoires originaux.
- (11) Conditions opérationnelles du nettoyeur :
 - (11) - 1 Profondeur maximale de l'eau : 3 m (10 ft)
 - (11) - 2 Température de l'eau : 4 °C (39,2 °F) - 35 °C (95 °F)

1. Chargeur

Lorsque vous installez cet appareil électrique, suivez toujours les consignes de base de sécurité. Lisez attentivement les instructions fournies.

- (1) N'utilisez que le chargeur original.
- (2) Usage exclusif en intérieur. Le chargeur ne doit pas être utilisé à l'extérieur ni exposé à la pluie, l'humidité, les liquides ou la chaleur.
- (3) Maintenir le chargeur hors de portée des enfants.
- (4) Ne pas utiliser le chargeur si un dommage a été détecté.
- (5) Ne pas manipuler le nettoyeur ni le chargeur avec les mains humides ni avec les pieds nus quand ce dernier est en charge.
- (6) Débrancher le chargeur lorsqu'il n'est pas utilisé.
- (7) Si le câble est endommagé, il faudra remplacer le chargeur par un neuf pour éviter des risques.
- (8) Vérifiez que le nettoyeur et le chargeur sont complètement secs avant la charge.
- (9) Chargez le nettoyeur pendant 4 à 5 heures avant la première utilisation. En règle générale, le nettoyeur fonctionne pendant environ 60 minutes lorsque la batterie est complètement chargée.

2. Retrait de la batterie

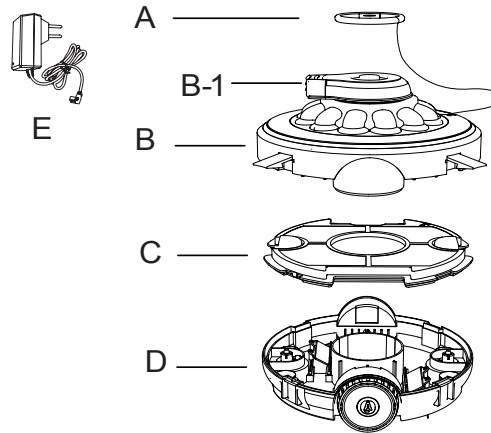
- (1) La batterie du nettoyeur est au lithium et doit être retirée correctement :
Pour plus d'informations, contactez l'administration locale.
- (2). N'essayez jamais de démonter la batterie au lithium sans l'autorisation d'un personnel qualifié, du personnel de service ou du fabricant.

Les avertissements et précautions précédents ne sont pas exhaustifs et ils ne comprennent pas toutes les hypothèses de risque ou de blessures graves. Les propriétaires des piscines ou spas doivent à tout moment être pleinement attentifs et faire preuve de bon sens lorsqu'ils utilisent le nettoyeur.

MANUEL D'UTILISATION

MONTAGE

- A : Flotteur
- B : Couvercle supérieur
- B-1 : Tête de jet
- C : Filtre
- D : Base inférieure
- E : Chargeur

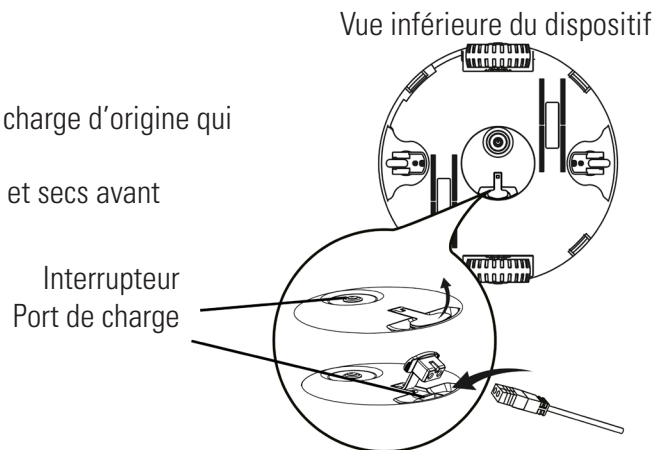


La tête de jet est située sur le couvercle supérieur. L'eau passe depuis la partie inférieure jusqu'à la tête pour que le robot avance. Face à un obstacle, la tête tourne de 180°, ce qui permet au robot de l'éviter et de se déplacer sur une autre ligne. Le filtre inférieur collecte et stocke les déchets dans un récipient.

MONTAGE ET FONCTIONNEMENT

Avertissement de charge

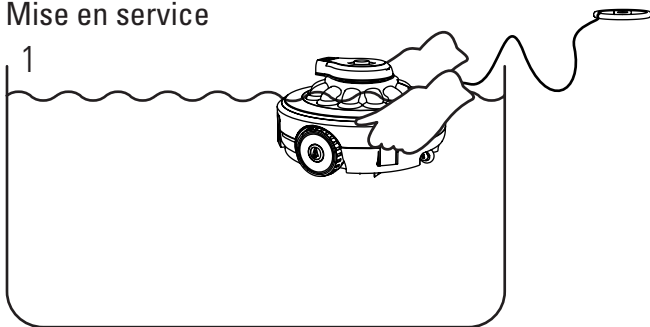
- Utilisez uniquement l'adaptateur externe et le câble de charge d'origine qui accompagnent le dispositif.
- Vérifiez que le robot et les ports de charge sont propres et secs avant l'installation.
- Chargez complètement la batterie du robot avant de l'utiliser pour la première fois (environ 4 ou 5 heures)



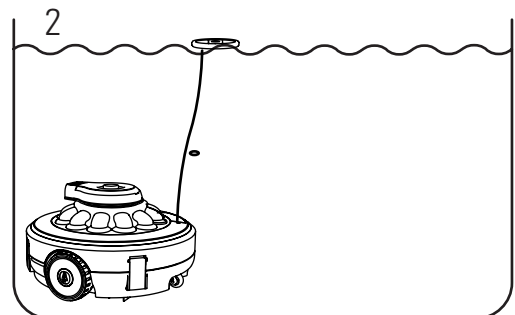
Remarque :

Lorsque le robot commence à charger, le témoin de l'adaptateur externe s'illumine en rouge. Quand la batterie est quasiment chargée, le témoin s'illumine en vert.

Mise en service

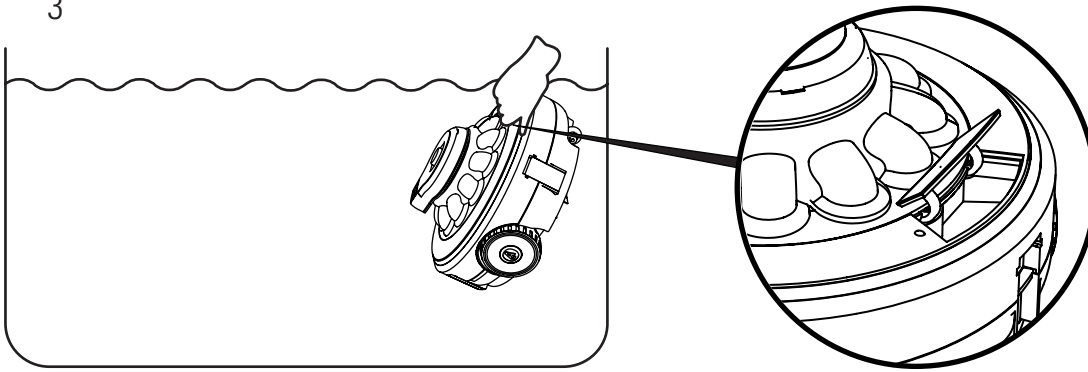


Appuyez sur l'interrupteur, lâchez la corde du flotteur, placez le robot en position horizontale dans la piscine et attendez que ce dernier atteigne seul le fond du bassin (si le dispositif n'est pas introduit dans l'eau, la machine ne tourne pas, étant donné qu'elle possède une fonction spécifique d'arrêt si elle n'est pas immergée dans l'eau).



Ajustez la longueur de la corde pour qu'elle soit à la même hauteur que le niveau de l'eau et attachez ou coupez la corde restante.

3



Ouvrez cette trappe pour tenir le robot et pour l'extraire facilement

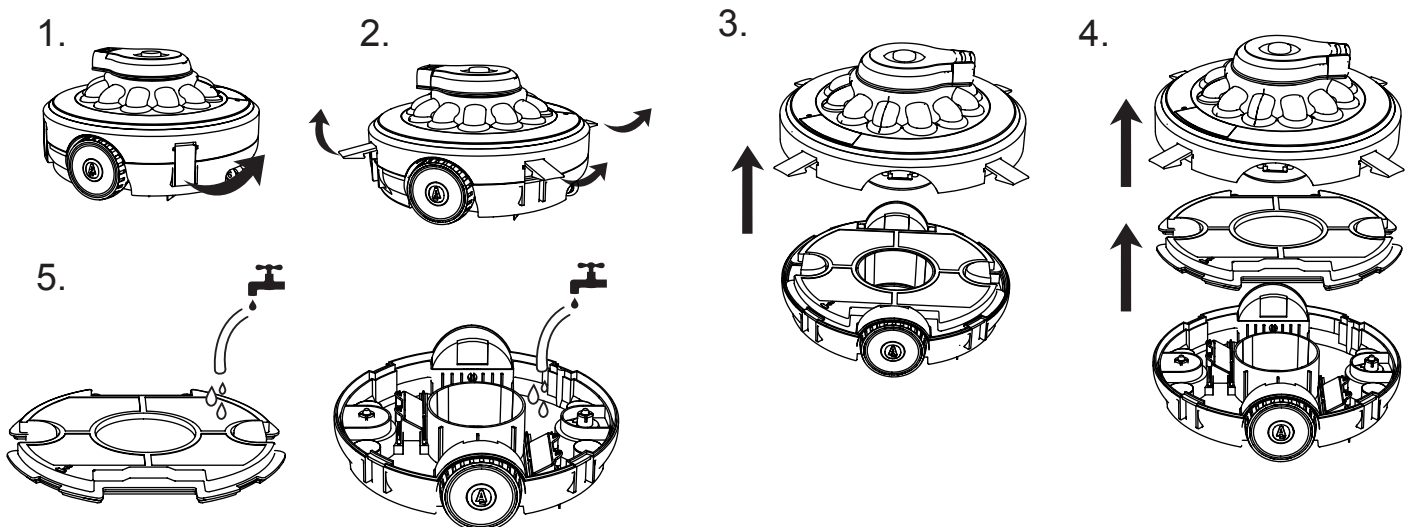
Quand la batterie du robot est épuisée, ce dernier s'arrête automatiquement au bord de la piscine. Il peut également s'arrêter au milieu de la piscine en raison d'un obstacle.

Remarque :

1. Il est recommandé de désactiver le système de filtration de la piscine, étant donné que la circulation de l'eau peut compliquer le déplacement du robot.
2. Les possibles obstacles présents dans le bassin, notamment les échelles, peuvent nuire au glissement et au tracé de nettoyage du robot.
3. Si vous utilisez un réservoir à sel, vérifiez que tout le sel est dissout avant d'introduire le robot dans l'eau.

Pour le bon fonctionnement du robot, la piscine doit être à fond plat et si le bassin dispose d'un revêtement, vous devez vous assurer que le liner n'a pas de plis (cet accessoire garantit l'étanchéité de votre bassin)

RETRAIT DES DÉCHETS

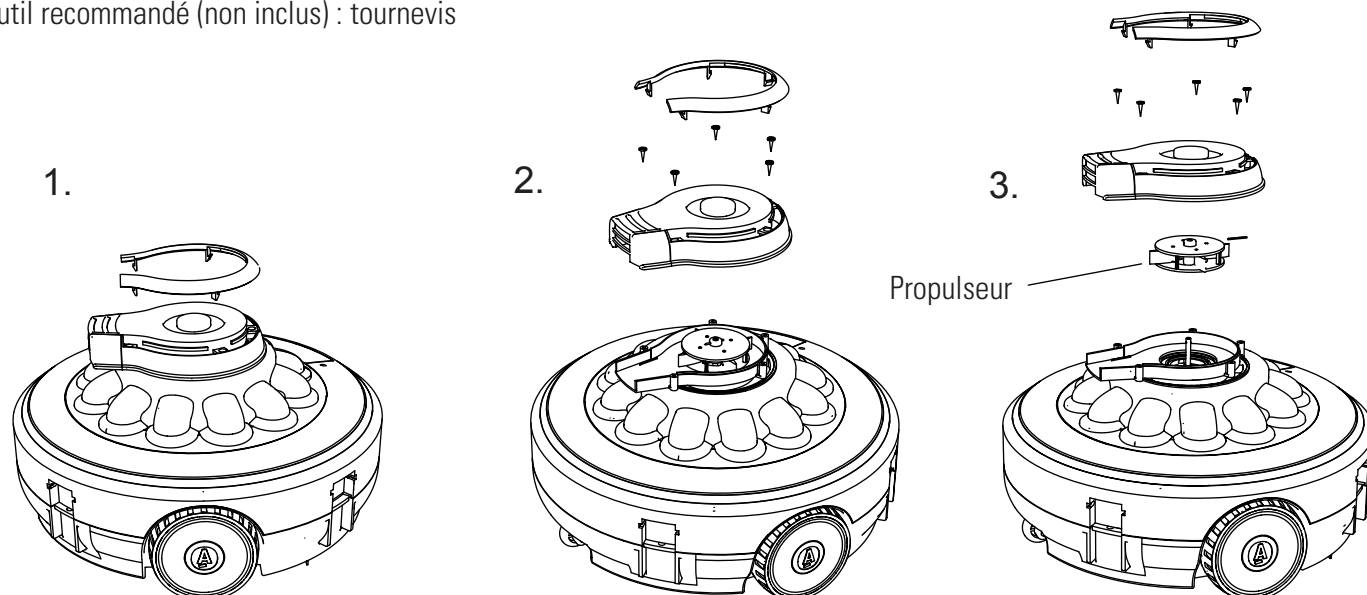


MAINTENANCE ET STOCKAGE

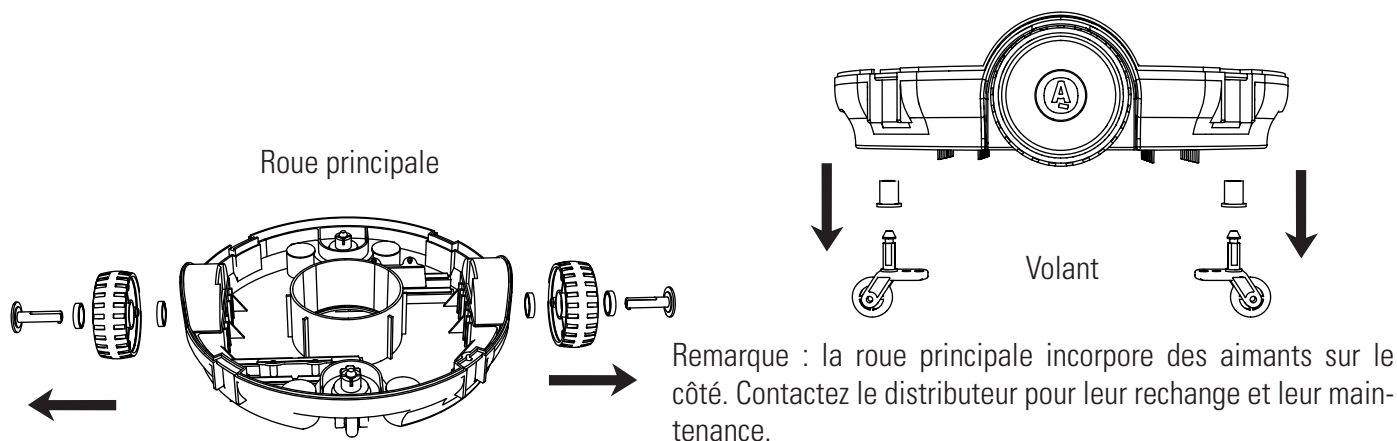
1. La batterie se décharge seule lorsque l'appareil est rangé. Vérifiez que le robot soit complètement chargé avant de le ranger.
2. Rechargez la batterie au moins une fois tous les trois mois même si vous n'utilisez pas le dispositif.
 - Débranchez l'adaptateur externe de la prise et le câble de charge de l'adaptateur externe et du robot.
 - Retirez les accessoires du robot. Si besoin, rincez le robot et ses accessoires avec de l'eau propre. N'utilisez pas de détergent.
 - Avant son stockage, vérifiez que le robot soit drainé.
 - Utilisez un chiffon humide pour nettoyer le robot et les accessoires et séchez-les.
 - Rangez-le dans un emplacement bien aéré, protégé du rayonnement solaire, de la chaleur, de sources d'ignition, des produits chimiques de la piscine et hors de portée des enfants.
 - La température de stockage doit être comprise entre 10 °C et 25 °C (50 °F – 77 °F). Remarque : si la température de stockage est supérieure, la durée de la batterie peut être raccourcie.

Maintenance et rechange du propulseur

Outil recommandé (non inclus) : tournevis



Montage et rechange de la batterie



ASSEMBLAGE ET REMPLACEMENT DE LA BATTERIE

Avertissement !

Ne traitez pas les appareils électriques comme des déchets municipaux non triés. Déposez-les dans un point de collecte sélective. Contactez votre autorité locale pour connaître les systèmes de collecte disponibles.

- Ne retirez pas la batterie au lithium sans autorisation.
- Si vous devez retirer la batterie au lithium de l'appareil d'aspiration, enlevez vos bagues, bracelets, colliers et montres.
- Le courant de court-circuit généré par la batterie est suffisant pour être absorbé par les anneaux (ou éléments similaires) et causer de graves brûlures.
- Avant d'enlever la batterie, protégez-vous avec des lunettes de protection, des gants et des vêtements appropriés. Veillez à ne pas toucher les câbles ou les pièces métalliques, car cela pourrait provoquer un court-circuit ou une étincelle.
- Ne fumez pas et ne produisez pas de flammes ou d'étincelles à proximité du nettoyeur, car elles pourraient enflammer la batterie et produire des gaz.
- Évitez d'exposer la batterie au feu ou à des températures élevées, car elle pourrait exploser.

Remarque :

Si la batterie présente des filtrations, évitez de la toucher et mettez-la dans un sac en plastique. Si la peau ou un vêtement entre en contact avec l'acide, il faudra laver immédiatement avec beaucoup d'eau et de savon.

Si les yeux entrent en contact avec l'acide, rincez-les à l'eau pendant au moins 15 minutes et consultez un médecin.

RÉSOLUTION DE PROBLÈMES

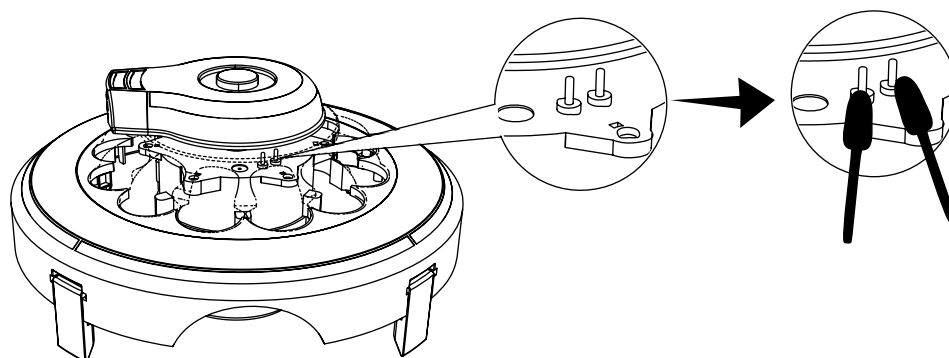
Si vous avez des problèmes avec le nettoyeur, suivez les étapes ci-dessous pour récupérer son rendement habituel. Attention : éteignez l'appareil avant de le réparer.

Problème	Possibles causes	Solution
Le robot n'attrape pas les déchets.	Batterie faible.	Chargez la batterie.
	Propulseur bouché.	Éteignez le robot et vérifiez visuellement si le propulseur tourne. Si vous avez besoin d'instructions supplémentaires, veuillez contacter votre distributeur. Attention : avant de vérifier l'appareil, assurez-vous qu'il est éteint.
	Propulseur endommagé.	Contactez le distributeur pour procéder à son rechange.
	Compartiment plein.	Nettoyez le compartiment et le couvercle du filtre.
Le robot cesse de se déplacer au milieu du bassin, mais la tête rotative continue de tourner.	Le robot s'est arrêté en raison d'un obstacle.	Vérifiez si le nettoyeur est bouché. Retirez les obstacles.
	Le robot est bloqué dans l'orifice de succion du fond du bassin.	Désactivez le système de filtration (consultez le manuel d'instructions).
	Le fond n'est pas complètement plat.	Il a besoin de davantage de minutes pour bouger à nouveau ou bien lissez le sol ou découpez la bande inférieure des balais. Contactez le distributeur pour obtenir les pièces de rechange nécessaires.
Le robot ne couvre pas la totalité du bassin ou il ne se déplace pas le long de la paroi de la piscine.	Le compartiment est plein.	Nettoyez le compartiment et le couvercle du filtre.
	La période de fonctionnement est plus courte que d'habitude.	Nettoyez la chambre de filtration et chargez la batterie du robot pendant 4 ou 5 heures.
	La circulation de l'eau en raison du système de filtration interrompt la direction de déplacement.	Désactivez le système de filtration (consultez le manuel d'utilisation).
	La roue est coincée.	Vérifiez si les roues ont des déchets adhérents. Dans ce cas, retirez-les.
Le robot bouge doucement.	Compartiment plein.	Nettoyez le compartiment et le couvercle du filtre.
La tête rotative ne tourne pas ou elle tourne mais trop doucement.	Le fond basculant est coincé.	Le compartiment est plein. Vérifiez s'il y a des déchets sous la tête rotative et retirez-les si c'est le cas. Il peut être tourné à la main et rincé à l'eau jusqu'à ce qu'il se déplace en douceur.
	Compartiment plein.	Nettoyez le compartiment et le couvercle du filtre.
Les déchets sortent du robot.	La valve de la buse de succion (sur la partie inférieure du robot) est cassée.	Le déflecteur de la ventouse agit comme une porte pour empêcher les déchets de sortir du compartiment. Contactez votre distributeur pour les pièces de rechange et les instructions.
Les déchets débordent à travers le couvercle du filtre.	Le couvercle du filtre est cassé.	Remplacez le couvercle du filtre par un neuf. Contactez le distributeur pour les pièces de rechange.

Problème	Possibles causes	Solution
La batterie du robot ne charge pas	La batterie est défectueuse	Contactez le distributeur pour remplacer la batterie. Avertissement : n'allumez pas le robot et ne remplacez pas la batterie vous-même. Vous pouvez causer des blessures graves ou mortelles et la garantie ne sera plus valable.
	Le câble de charge n'est pas bien connecté à l'adaptateur externe ni au robot.	Vérifiez que le chargeur est complètement et correctement connecté à l'adaptateur externe et au robot. Consultez le manuel d'utilisation
	L'adaptateur externe est cassé	Contactez le distributeur pour le remplacer. Avertissement : si vous utilisez un adaptateur externe incorrect, le robot ou la batterie souffriront des dommages et la garantie sera annulée.
Le robot fonctionne en dehors de l'eau.	Le robot a toujours de l'eau à l'intérieur et le contact est court-circuité, de façon que le robot continue de fonctionner sans eau.	Sortez-le de l'eau pendant quelques secondes et attendez qu'il sèche.
	Présence de déchets dans le point de contact, notamment des cheveux mouillés, qui court-circuitent le contact.	Retirez les cheveux et autres déchets avec des outils adaptés.
	La plaque de circuit imprimé est endommagée	Contactez le distributeur pour son rechange.

Problème	Possibles causes	Solution
Si le chargeur affiche un témoin rouge fixe, il ne peut pas passer au vert plus de 8 heures.	La batterie est endommagée	Please contact the dealer to replace the battery. Contactez votre distributeur pour remplacer la batterie. Attention : n'allumez pas le robot et ne remplacez pas la batterie vous-même. Elle peut causer des blessures graves ou mortelles et annuler la garantie. so the warranty will not be valid.
Si le témoin du chargeur devient vert en très peu de temps et que l'appareil ne fonctionne également que pendant une courte période (environ 30 minutes), une validation multiple sera requise.		
Lorsque le produit commence à se charger après avoir terminé le travail, si le chargeur affiche un témoin vert continu (assurez-vous que le câble du chargeur est complètement et correctement connecté à l'adaptateur externe et au robot).	Le chargeur est endommagé	Contactez votre distributeur pour son remplacement. Attention : si vous utilisez un chargeur externe incorrect, vous risquez d'endommager le robot ou la batterie et d'annuler par conséquent la garantie.
Si le chargeur ne s'allume plus.		
L'interrupteur ne fonctionne pas ou est hors service. *	Il y a des saletés autour du capteur ou une oxydation du capteur.	Nettoyer le capteur avec un papier, un chiffon ou une brosse, selon les photos; ou voir la vidéo en ligne.

*



SICHERHEITSHINWEIS

Bitte befolgen Sie bei Installation und Nutzung dieses Elektrogeräts stets die grundlegenden Sicherheitsanforderungen. Bitte lesen Sie die folgenden Hinweise sorgfältig durch.

WARNUNG

Der Reiniger ist kein Spielzeug und darf nur von Personen ab 8 Jahren bedient werden.

Vor der Nutzung des Reinigers muss dieses Handbuch sorgfältig gelesen werden.

- (1) Der Reiniger ist zur Reinigung von Pools und Schwimmbecken gedacht.
- (2) Bitte verwenden Sie ausschließlich die mitgelieferten Batterien und das mitgelieferte Ladegerät.
- (3) Zum Aufladen muss der Reiniger ausgeschaltet sein.
- (4) Bewahren Sie den Reiniger an einem trockenen und sauberen Ort auf. Setzen Sie ihn keiner Explosionsgefahr oder zu starker Sonneneinstrahlung aus.
- (5) Scharfe Gegenstände unter Wasser können leicht den Filterbeutel beschädigen.
- (6) Außerhalb des Wassers stoppt der Reiniger automatisch.
- (7) Kommen Sie dem Saugkopf nicht zu nahe. Die Saugkraft wirkt sich auf Menschen, Tiere, Haare und Kleidung aus.
- (8) Bauen Sie den Reiniger nicht ohne professionelle Unterstützung oder Anleitung des Händlers oder Herstellers auseinander.
- (9) Austretendes Schmieröl kann zu Wasserverschmutzung führen.
- (10) Halten Sie den Reiniger bei Problemen sofort an. Kontaktieren Sie den Händler oder bauen Sie Originalersatzteile ein.
- (11) Arbeitsbedingungen für den Reiniger:
 - (11) Maximale Wassertiefe: 3 m
 - (11) -2 Wassertemperatur: 4°C(39.2°F)-35°C(95°F)

1. Ladegerät

Bitte befolgen Sie bei Installation und Nutzung dieses Elektrogeräts stets die grundlegenden Sicherheitsanforderungen.

- (1) Nutzen Sie ausschließlich das Originalladegerät.

Ausschließlich zum Innengebrauch.

- (2) Verwenden Sie das Ladegerät nicht im Freien. Es sollte keinerlei Regen, Feuchtigkeit, Flüssigkeit oder Hitze ausgesetzt werden.
- (3) Bewahren Sie das Ladegerät außer Reichweite von Kindern auf.
- (4) Verwenden Sie das Ladegerät nicht, wenn es beschädigt ist.
- (5) Berühren Sie Reiniger und Ladegerät während des Aufladens nicht mit nassen Händen oder Füßen.
- (6) Nehmen Sie das Ladegerät vom Strom, wenn es nicht gebraucht wird.
- (7) Wenn das Kabel beschädigt ist, muss das Ladegerät ersetzt werden, um Gefahren zu vermeiden.
- (8) Stellen Sie vor dem Aufladen sicher, dass Reiniger und Ladegerät vollkommen trocken sind.
- (9) Laden Sie den Reiniger vor dem ersten Gebrauch 4-5 Stunden lang auf. Normalerweise läuft der Reiniger etwa 60 Minuten, wenn der Akku vollständig aufgeladen ist.

2. Entsorgung der Batterie

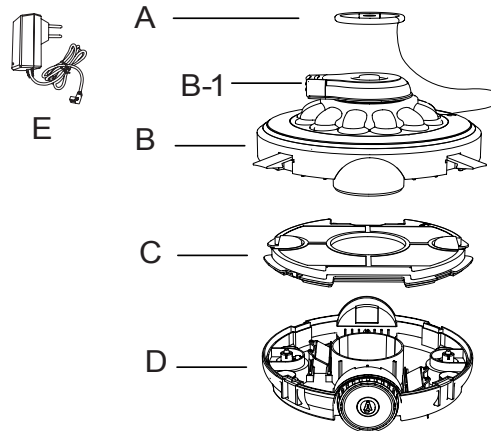
- (1) Bei der Batterie des Reinigers handelt es sich um eine Lithiumbatterie, die ordnungsgemäß entsorgt werden muss. Bitte kontaktieren Sie die städtischen Behörden für nähere Informationen.
- (2) Versuchen Sie niemals, die Lithiumbatterie ohne die Genehmigung von qualifiziertem Personal, Servicepersonal oder dem Hersteller zu zerlegen

Die genannten Warn- und Gefahrenhinweise decken nicht alle möglichen Risiken und/oder schweren Verletzungen ab. Pool- und Schwimmbeckenbesitzer sollten bei Gebrauch des Reinigers stets enorme Vorsicht walten lassen.

BENUTZERHANDBUCH

AUFBAU

- A: Schwimmer
- B: Abdeckung
- B-1: Düsenkopf
- C: Filter
- D: Bodenplatte
- E: Ladegerät



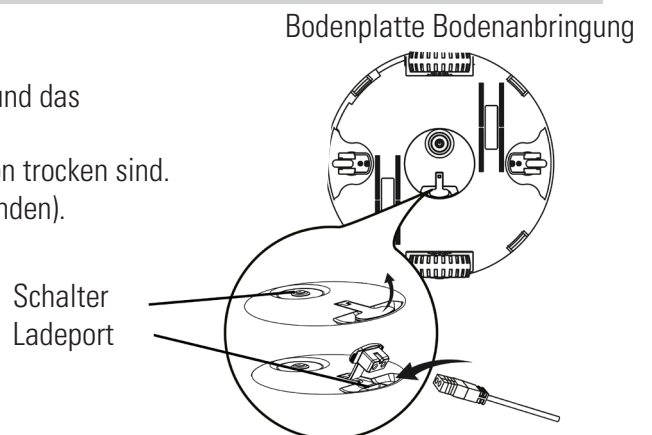
An der oberen Abdeckung befindet sich ein Düsenkopf.

Das Wasser strömt vom Boden zum Düsenkopf, damit sich der Roboter bewegt. Bei Hindernissen dreht sich der Düsenkopf um 180 Grad, sodass der Roboter das Hindernis umrundet und sich weiterdreht. Der Müll wird eingesaugt und im Schmutzbehälter abgelegt.

AUFBAU UND BETRIEB

Batteriewarnung

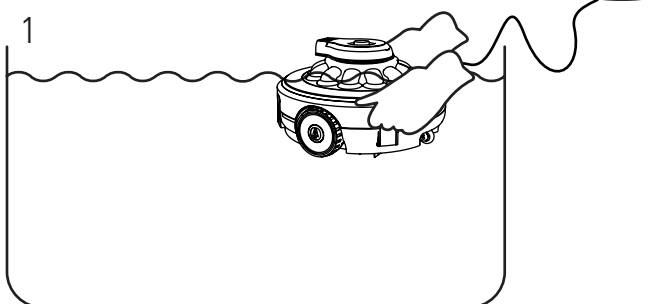
- Nutzen Sie ausschließlich den mitgelieferten externen Adapter und das mitgelieferte Ladekabel
- Stellen Sie sicher, dass Roboter und Ladeports bei der Installation trocken sind.
- Laden Sie den Roboter vor der ersten Nutzung auf (etwa 4-5 Stunden).



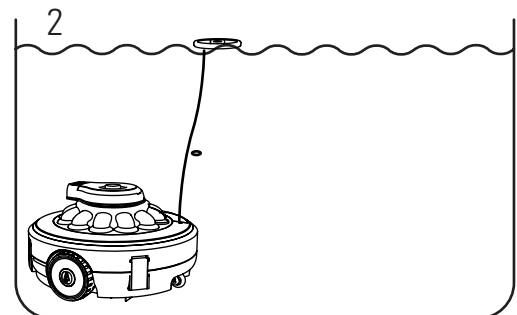
Hinweis:

Sobald der Roboter mit dem Laden beginnt, springt das Anzeigelicht des externen Adapters auf rot. Wenn der Roboter fast vollständig aufgeladen ist, springt das Anzeigelicht auf grün.

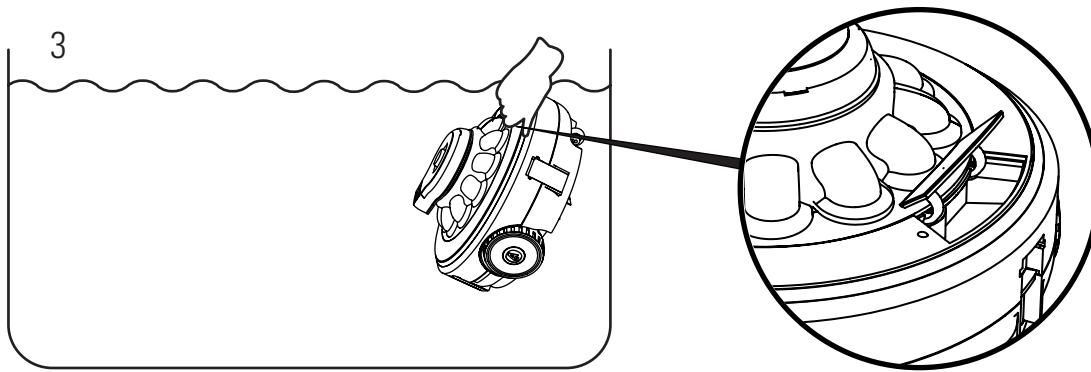
Strom an



Schalten Sie den Schalter an, lösen Sie das Seil am Schwimmer, platzieren Sie den Roboter horizontal im Pool und warten Sie, bis er auf den Poolboden sinkt. (Wenn sich der Roboter nicht im Wasser befindet, dreht er sich nicht, da er so programmiert sich, dass er sich nur im Wasser dreht.)



Passen Sie die Seillänge an die Höhe des Wasserstands an. Das übrige Seil können Sie festbinden oder abschneiden.



Sie können den Roboter daran einfach aus dem Wasser heben.

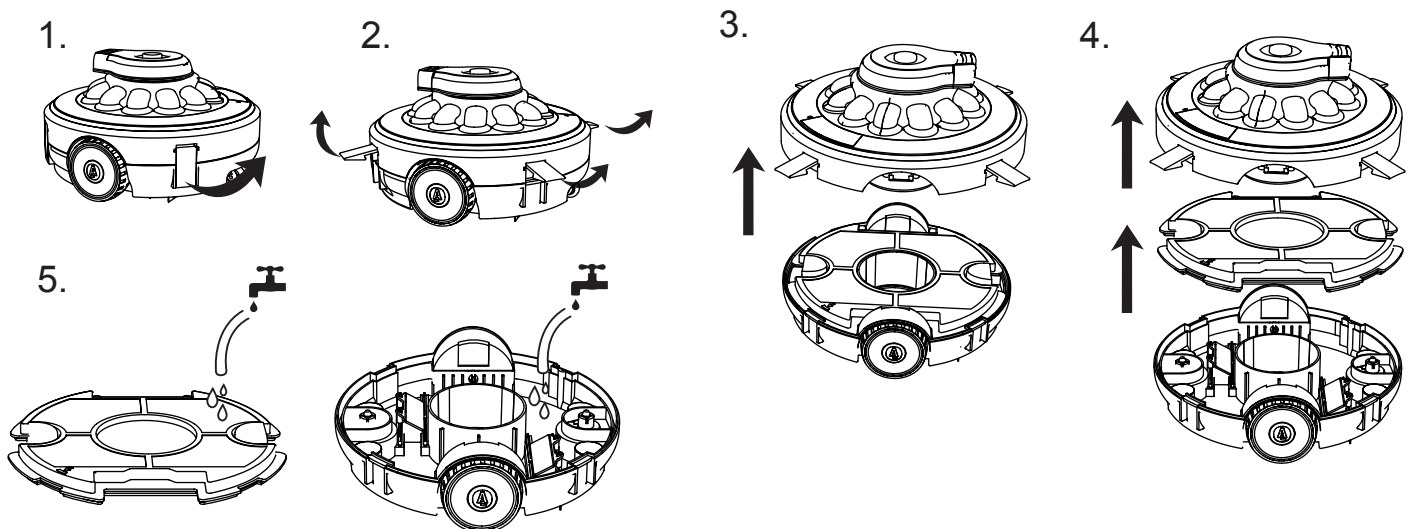
Wenn der Roboter keinen Strom mehr hat, hält er automatisch am Beckenrand an. Wenn der Roboter keinen Strom mehr hat, stoppt er automatisch am Beckenrand oder bleibt an einem Hindernis in der Poolmitte hängen.

Hinweis:

1. Es empfiehlt sich, das Filtersystem abzuschalten, da der Wasserkreislauf im Pool den Bewegungsmodus des Roboters beschädigen kann.
2. Hindernisse wie Leitern beeinträchtigen Schwimmbewegungen und somit Reinigungsergebnisse des Roboters;
3. Falls Sie einen Soletank verwenden stellen Sie bitte vor dem Einsatz des Roboters sicher, dass sich das gesamte Salz aufgelöst hat.

Für den einwandfreien Betrieb des Geräts muss der Boden völlig eben sein. Bei Pools mit Liner (Innenhülle, die das Wasser enthält) darf diese Auskleidung keine Falten aufweisen.

MÜLLENTSORGUNG



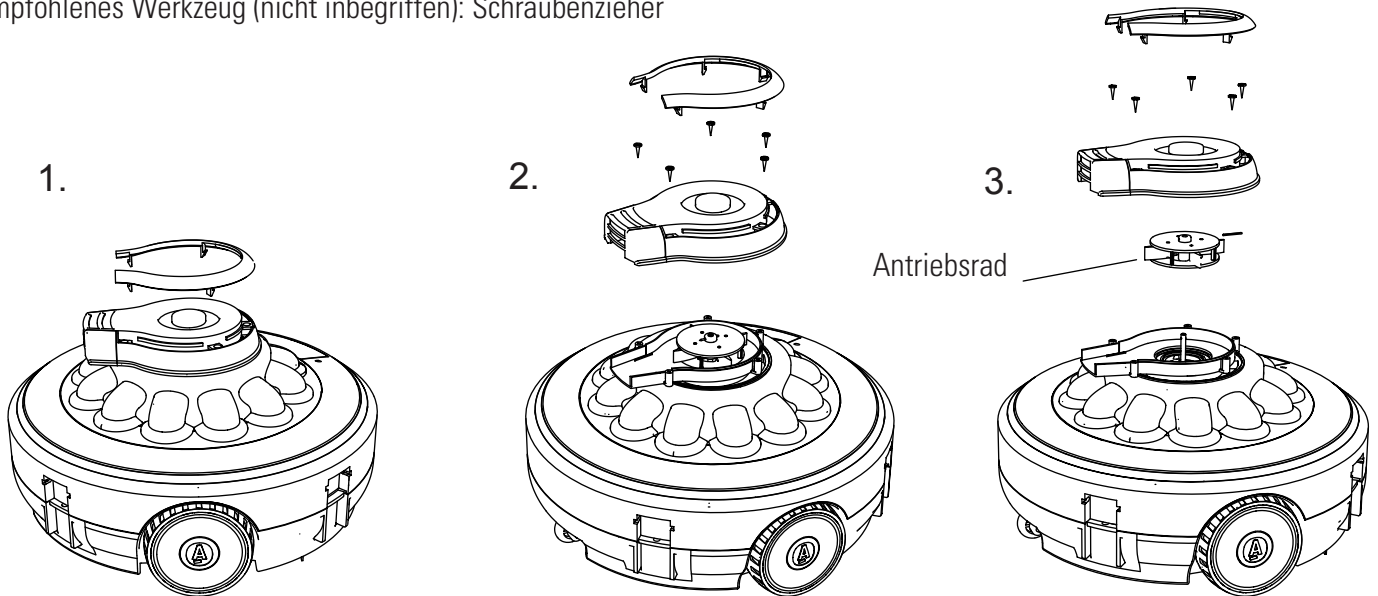
WARTUNG UND AUFBEWAHRUNG

1. Während der Aufbewahrung entlädt sich die Batterie nach und nach. Stellen Sie sicher, dass der Roboter vor der Aufbewahrung vollständig aufgeladen ist.
2. Wenn sich der Roboter nicht in Gebrauch befindet, muss die Batterie mindestens alle drei Monate aufgeladen werden.

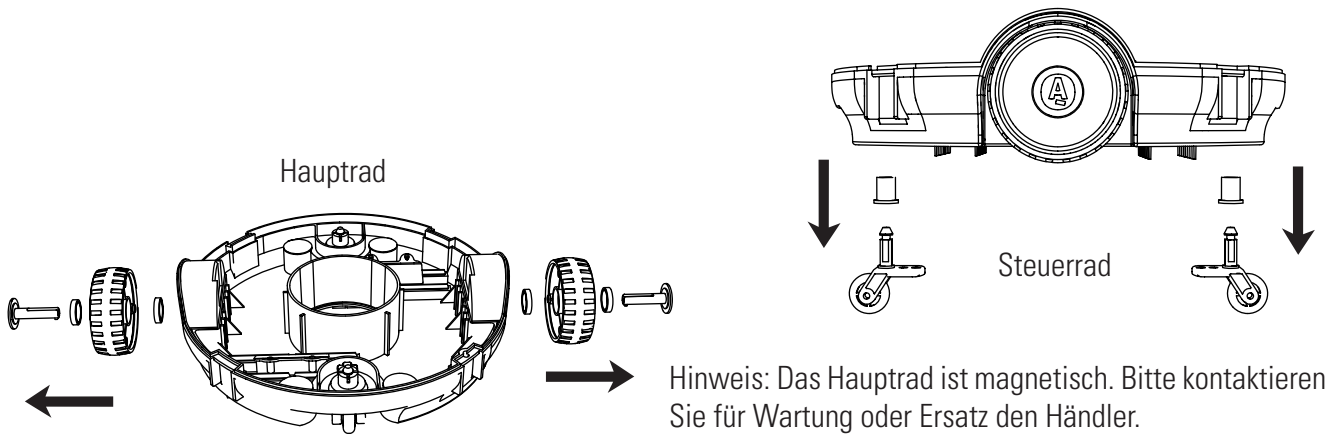
- Ziehen Sie den externen Adapter aus der Steckdose und trennen Sie anschließend das Ladekabel vom externen Adapter und dem Roboter.
- Entfernen Sie die Abdeckung vom Roboter. Reinigen Sie Roboter und Zubehör bei Bedarf mit sauberem Wasser. Verwenden Sie keine Reinigungsmittel.
- Stellen Sie vor der Aufbewahrung sicher, dass sich kein Wasser mehr im Roboter befindet.
- Reinigen und trocknen Sie Roboter und Zubehör mit einem feuchten Tuch.
- Bewahren Sie den Roboter an einem gut belüfteten Ort ohne Sonnenlicht, Hitze, Brandquellen und Poolchemikalien auf, zu dem Kinder keinen Zugang haben.
- Die optimale Aufbewahrungstemperatur liegt bei 10 °C– 25 °C (50 °C– 7°C). Hinweis: Höhere Aufbewahrungstemperaturen können die Batterielaufzeit verkürzen.

Wartung und Ersatz des Antriebsrats

Empfohlenes Werkzeug (nicht inbegriffen): Schraubenzieher



Wartung und Ersatz der Räder



EINBAU UND ERSATZ DER BATTERIE

Achtung!

Elektrogeräte sind kein Restmüll und müssen gesondert entsorgt werden. Bitte kontaktieren Sie Ihre Gemeindeverwaltung hinsichtlich der Entsorgungsmöglichkeiten.

- Entfernen Sie die Lithiumbatterie nicht ohne Genehmigung.
- Zum Entfernen der Lithiumbatterie aus dem Vakuumgerät nehmen Sie bitte Ringe, Armbänder, Ketten und Uhr ab.
- Der von einer Batterie erzeugte Kurzschluss kann einen Ring oder Ähnliches ansaugen, was zu schweren Verletzungen führen kann.
- Bitte tragen Sie zum Entnehmen der Batterie Schutzbrille, Handschuhe und Schutzkleidung. Das Berühren des Drahts oder der Metallkomponenten kann Sprühfunken oder einen Kurzschluss verursachen.
- Unterlassen Sie es, neben dem Reiniger zu rauchen oder auf sonstige Weise Funken oder Feuer zu erzeugen, da dies die Batterie entzünden und Gas verursachen kann. Setzen Sie die Batterie keinem Feuer oder zu großer Hitze aus, da dies zu Explosionen führen kann.

Achtung!

Bei einem Batterieleck die Batterie nicht berühren und in einen Plastikbeutel stecken. Wenn Kleidung oder Haut in Kontakt mit Säure kommen, bitte umgehend mit viel Seife und Wasser waschen.

Wenn Ihre Augen in Kontakt mit Säure kommen, spülen Sie diese für mindestens 15 Minuten mit Wasser und suchen Sie anschließend einen Arzt auf.

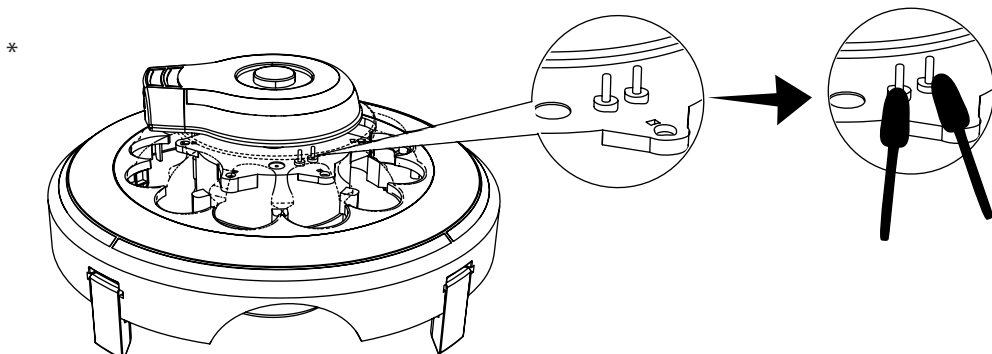
PROBLEMBEHEBUNG

Bei Problemen mit Ihrem Reiniger befolgen Sie bitte die untenstehenden Schritte zur Problembehebung. Hinweis: Bitte schalten Sie vor einer Reparaturtätigkeit den Strom ab.

Problem	Mögliche Ursachen	Lösung
Roboter sammelt keinen Schmutz ein.	Die Batterieladung ist zu schwach.	Laden Sie den Roboter auf.
	Das Antriebsrad hat sich verklemmt.	Nehmen Sie den Roboter vom Strom und prüfen Sie, ob sich das Antriebsrad drehen lässt. Kontaktieren Sie gegebenenfalls den Händler für weitere Anweisungen. Achtung! Schalten Sie den Roboter zu Reparaturtätigkeiten stets aus.
	Antriebsrad beschädigt.	Bitten Sie den Händler um einen Ersatz.
	Schmutzbehälter ist voll.	Reinigen Sie Schmutzbehälter und Filteraußenseite
Der Roboter stoppt in der Mitte des Pools, während sich der Rotationskopf weiter dreht.	Der Roboter wurde durch ein Hindernis gestoppt.	Prüfen Sie den Reiniger auf Verstopfung. Entfernen Sie die Hindernisse.
	Der Roboter wird durch die Saugkraft einer Hauptleitung am Poolboden behindert.	Schalten Sie das Filtersystem ab (siehe Anweisungen im Handbuch).
	Boden ist nicht komplett eben.	Es dauert länger, bis sich der Roboter erneut bewegt. Alternativ können Sie für einen flachen Boden sorgen oder die Unterseite der Bürste entsprechend anpassen. Kontaktieren Sie Ihren Händler für Ersatzteile.
Der Roboter kann nicht den gesamten Pool abdecken / bewegen Sie ihn entlang des Poolrands.	Schmutzbehälter ist voll.	Reinigen Sie Schmutzbehälter und Filteraußenseite.
	Betriebsdauer war kürzer als erwartet.	Reinigen Sie die Filterkammer und laden Sie den Roboter für 4-5 Stunden erneut auf.
	Die von der Filteranlage erzeugte Wasserzirkulation unterbricht die Bewegungsrichtung.	Schalten Sie das Filtersystem ab (siehe Anweisungen im Handbuch).
	Das Rad klemmt.	Prüfen Sie die Räder auf Schmutz und entfernen Sie diesen.
Der Roboter bewegt sich nur langsam.	Schmutzbehälter ist voll.	Reinigen Sie Schmutzbehälter und Filteraußenseite.
Der Rotationskopf dreht sich gar nicht oder zu langsam.	Der untere Teil des Dreharms klemmt.	Der Schmutzbehälter ist voll. Entfernen Sie Schmutz unterhalb des Rotationskopfes. Er kann von Hand gedreht und gereinigt werden.
	Schmutzbehälter ist voll.	Reinigen Sie Schmutzbehälter und Filteraußenseite.
Schmutz ist aus dem Roboter gelaufen.	Das Ventil der Saugdüse am Boden des Reinigers ist kaputt.	Die Schutzwand des Saugers ist offen, damit kein Schmutz aus der Schmutzkammer ausströmen kann. Bitten Sie den Händler um Anweisungen und Ersatz.
Schmutz gelangt ins Äußere der Filterkammer.	Die Filterabdeckung ist beschädigt.	Ersetzen Sie die Filterabdeckung. Bitten Sie den Händler um einen Ersatz.

Problem	Mögliche Ursachen	Lösung
Der Roboter lädt sich nicht auf.	Batterieschaden.	Bitte Sie den Händler um eine Ersatzbatterie. Achtung! Wechseln Sie die Batterie nicht selbst und bei angeschaltetem Roboter. Dies kann zu schweren Schäden führen, die die Garantie außer Kraft setzen.
	Das Ladekabel ist nicht richtig an den externen Adapter und den Roboter angeschlossen.	Stellen Sie sicher, dass das Ladekabel richtig und vollständig an den externen Adapter und den Roboter angeschlossen ist. Siehe Benutzerhandbuch.
	Der externe Adapter ist kaputt.	Bitte Sie den Händler um Ersatz. Achtung! Ein falscher externer Adapter kann Roboter und Batterie beschädigen, wodurch die Garantie erlischt.
Der Roboter kann auch ohne Wasser noch arbeiten.	Das Wasser im Roboter ist noch nicht getrocknet und der Kontakt kurzgeschlossen; der Roboter kann nach wie vor arbeiten.	Lassen Sie ihn ein paar Sekunden außerhalb des Wassers trocknen.
	Am Kontaktpunkt befindet sich Schmutz wie nasse Haare, wodurch der Kontakt kurzgeschlossen wird.	Entfernen Sie Haare und sonstigen Schmutz mit einem Werkzeug.
	Platine beschädigt	Bitte Sie den Händler um einen Ersatz.

Problem	Mögliche Ursachen	Lösung
Wenn das Ladegerät fortwährend rotes Licht anzeigt, kann es nicht länger als 8 Stunden mit grünem Licht aufladen.	Batterie beschädigt.	Bitte kontaktieren Sie den Händler, damit dieser die Batterie ersetzt. Achtung! Sie dürfen den Roboter nicht anschalten oder die Batterie selbst wechseln! Dies kann zu schweren Verletzungen führen. Die Garantie erlischt.
Wenn das Licht des Ladegeräts innerhalb sehr kurzer Zeit grün wird, funktioniert es nur etwa eine halbe Stunde (mehrmalige Prüfung erforderlich).		
Wenn das Produkt nach dem Einsatz mit dem Laden beginnt, wenn das Ladegerät kontinuierlich grünes Licht anzeigt. (Stellen Sie sicher, dass das Ladekabel vollständig und richtig an den externen Adapter und den Roboter angeschlossen ist.)	Ladegerät beschädigt.	Kontaktieren Sie den Händler für einen Ersatz. Achtung! Ein falscher externer Adapter kann die Roboterbatterie beschädigen. Die Garantie erlischt.
Wenn das Licht des Ladegeräts nicht mehr leuchtet.		
Schalter funktioniert nicht oder ist defekt. *	Schmutz oder Rost um den Sensor.	Reinigen Sie den Sensor mit einem Papier, einem Tuch oder einer Bürste, wie in den Bildern gezeigt; sehen Sie sich das Erklärvideo online an.



AVVERTENZA DI SICUREZZA

Quando si installa e si utilizza questa apparecchiatura elettrica, è sempre necessario seguire le precauzioni di sicurezza di base. Si prega di leggere attentamente quanto segue

ATTENZIONE

L'aspirapolvere non è un giocattolo e viene utilizzato da persone di età superiore a 8 anni.

Chiunque utilizzi l'aspirapolvere deve leggere attentamente il manuale prima di lavorarci.

- (1) Il robot è progettato per pulire la piscina, SPA.
- (2) Si prega di utilizzare le batterie e il caricatore originali durante l'utilizzo.
- (3) Caricarlo solo quando il robot è spento.
- (4) Mettere il pulitore in un luogo pulito e asciutto. Non esporlo sotto sole o vicino a esplosivo.
- (5) Il sacchetto filtro è facile da rompere quando ci sono sostanze taglienti sotto acqua.
- (6) Il robot smette automaticamente di funzionare quando è fuori dall'acqua.
- (7) Non avvicinarsi alla testa del vuoto quando è in funzione, a causa della sua aspirazione potere, soprattutto per il corpo umano, animali, capelli o vestiti.
- (8) Non smontare il pulitore senza assistenza professionale dal distributore o produttore autorizzato.
- (9) Non disperdere l'olio lubrificante in quanto può inquinare le acque.
- (10) Smettere di utilizzare l'aspiratore in caso di problemi; Si prega di contattare il distributore autorizzato o sostituirlo con parti / accessori originali.
- (11) Condizioni di lavoro più idonee:
 - (11) -1 Profondità massima dell'acqua applicabile: 3 m (10 piedi)
 - (11) -2 Temperatura dell'acqua: 4 ° C (39,2 ° F) -35 ° C (95 ° F)

1. Caricatore

Quando si installa e si utilizza questa apparecchiatura elettrica, è sempre necessario seguire le precauzioni di sicurezza di base. Si prega di leggere attentamente quanto segue

- (1) Utilizzare solo il caricatore originale fornito.
- (2) Solo per uso interno. Il caricabatterie non deve essere utilizzato all'aperto e non essere esposto a pioggia, umidità, liquidi o calore.
- (3) Tenere il caricabatterie fuori dalla portata dei bambini.
- (4) Non utilizzare mai il caricabatterie se si riscontrano danni.
- (5) Non maneggiare l'aspiratore e il caricatore con mani bagnate e piedi nudi quando si carica l'aspiratore.
- (6) Scollegare il caricabatterie dall'alimentazione quando non è in uso.
- (7) Se il cavo è danneggiato, deve essere sostituito con un nuovo caricabatterie per evitare pericoli.
- (8) Assicurarsi che l'aspiratore e il caricatore siano completamente asciutti prima di caricarli
- (9) Caricare il pulitore per 4-5 ore prima del primo utilizzo. In genere il pulitore funziona per circa 60 minuti quando la batteria è completamente carica.

2. Smaltimento della batteria

- (1) La batteria del pulitore è una batteria al litio, deve essere smaltita correttamente, si prega di contattare le autorità locali per ulteriori informazioni.
- (2) Non tentare mai di smontare la batteria al litio senza l'autorizzazione di personale qualificato, personale di servizio o del produttore

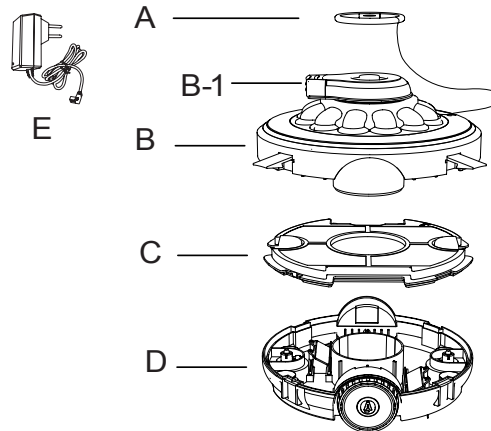
Gli avvertimenti e le precauzioni di cui sopra non possono includere tutti

i possibili casi di rischio e/o lesioni gravi. I proprietari di piscina / spa dovrebbero prestare sempre molta attenzione e avere buon senso quando si utilizza il pulitore.

MANUALE DI ISTRUZIONI

ASSEMBLAGGIO

- A: Galleggiante
- B: Copertura superiore
- B-1: Testa a getto
- C: Filtro
- D: Base inferiore
- E: Caricatore



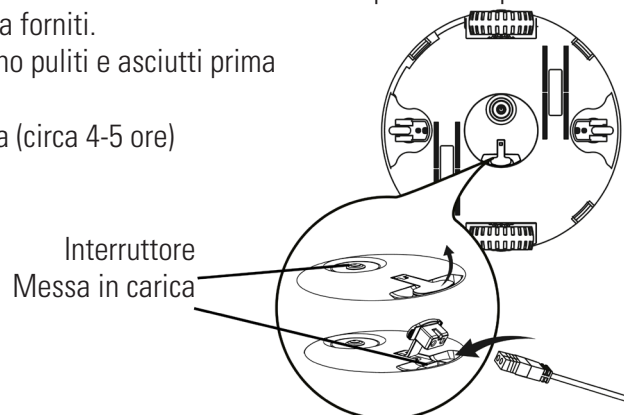
Sulla copertura superiore è presente l'elemento di rotazione della testa a getto, l'acqua sta passando dalla parte inferiore alla testa a getto per fare muovere il robot. Quando trova un ostacolo, la testa del getto ruota di 180 gradi, il robot aggira l'ostacolo e si sposta di un'altra linea. La sporcizia viene raccolta e introdotta nell'alloggio del filtro posteriore.

ASSEMBLAGGIO E FUNZIONAMENTO

Precauzioni per il caricamento

- Utilizzare esclusivamente l'adattatore e il cavo di carica forniti.
- Assicurarsi che il robot e gli ingressi del caricatore siano puliti e asciutti prima dell'installazione.
- Accendere il robot prima di utilizzarlo per la prima volta (circa 4-5 ore)

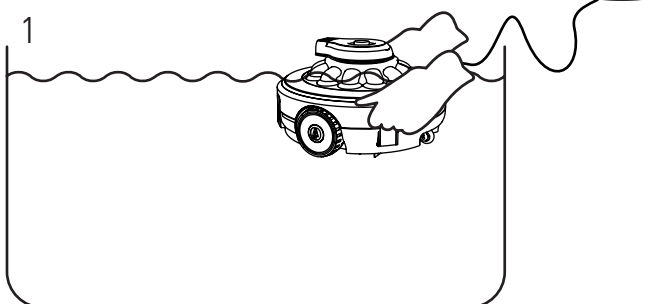
Pulsante di assemblaggio del corpo della copertura inferiore



Nota:

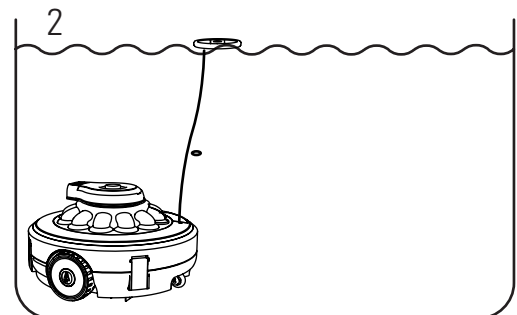
Quando il robot inizia a caricarsi, l'indicatore luminoso sull'adattatore esterno diventerà rosso. Quando il robot sarà quasi completamente carico, l'indicatore diventerà verde.

Accensione



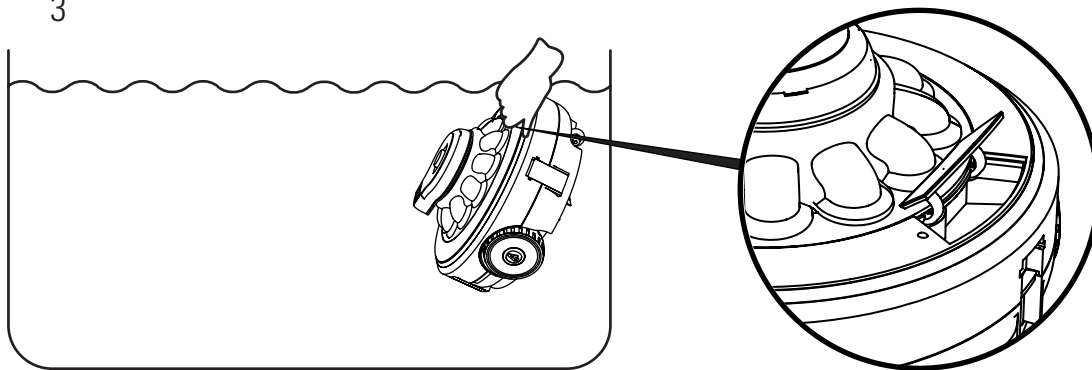
Accendere l'interruttore, allentare la corda sul galleggiante, posizionare il robot orizzontalmente nella piscina e attendere che il robot cada liberamente sul fondo.

(se il prodotto non viene immerso in acqua, la macchina non ruoterà in quanto ha la funzione di «arresto in uscita dall'acqua»).



Regolare la lunghezza della corda per assicurarsi che la lunghezza della corda sia alla stessa altezza del livello dell'acqua e che la lunghezza eccedente della corda venga legata o tagliata corta.

3



Aprire questo alloggiamento manualmente ed estrarre facilmente il robot

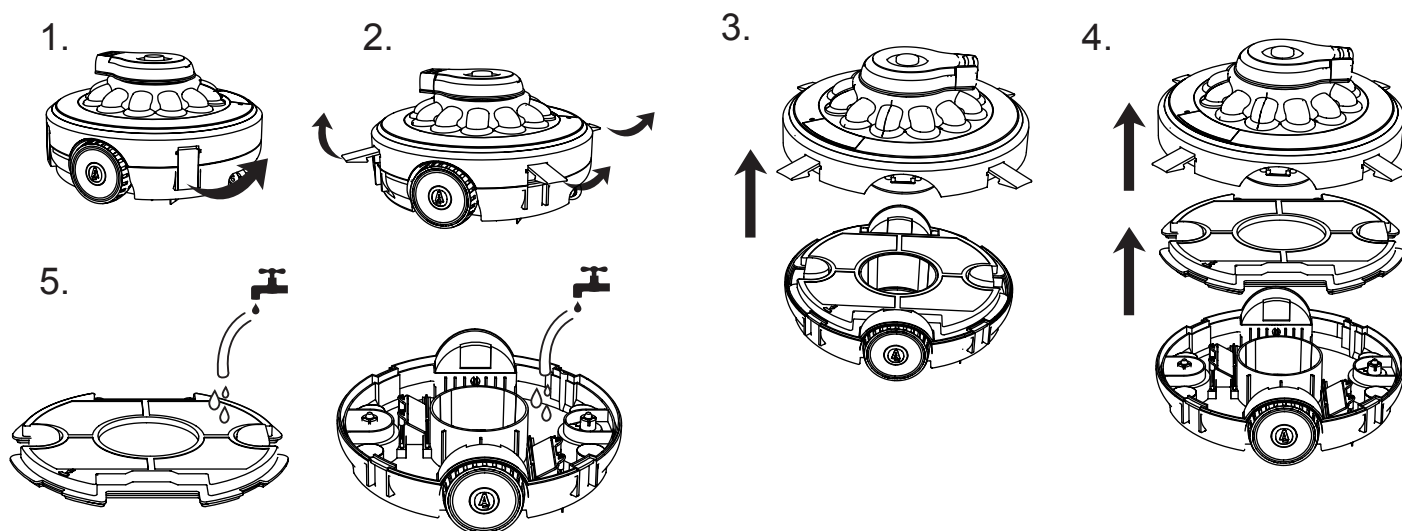
Quando viene interrotta l'alimentazione del robot, si arresterà automaticamente nell'angolo della piscina (potrebbe anche fermarsi nel centro della piscina a causa della presenza di ostacoli).

Nota:

1. Si raccomanda di spegnere il sistema filtrante poiché la circolazione dell'acqua nella piscina potrebbe influire sulla modalità di movimento del robot.
2. Qualsiasi ostacolo nella piscina, come ad esempio la scala, influenzerà il percorso di pulizia e scorrimento del robot;
3. Se stai utilizzando un serbatoio di brina, assicurarsi che il sale si sciolga prima di introdurre il robot in acqua.

Per il corretto funzionamento del dispositivo, il terreno deve essere completamente in piano e non devono essere presenti pieghe nel liner (copertura che contiene acqua), qualora si tratti di una piscina con materiale di rivestimento.

SMALTIMENTO DEI RIFIUTI



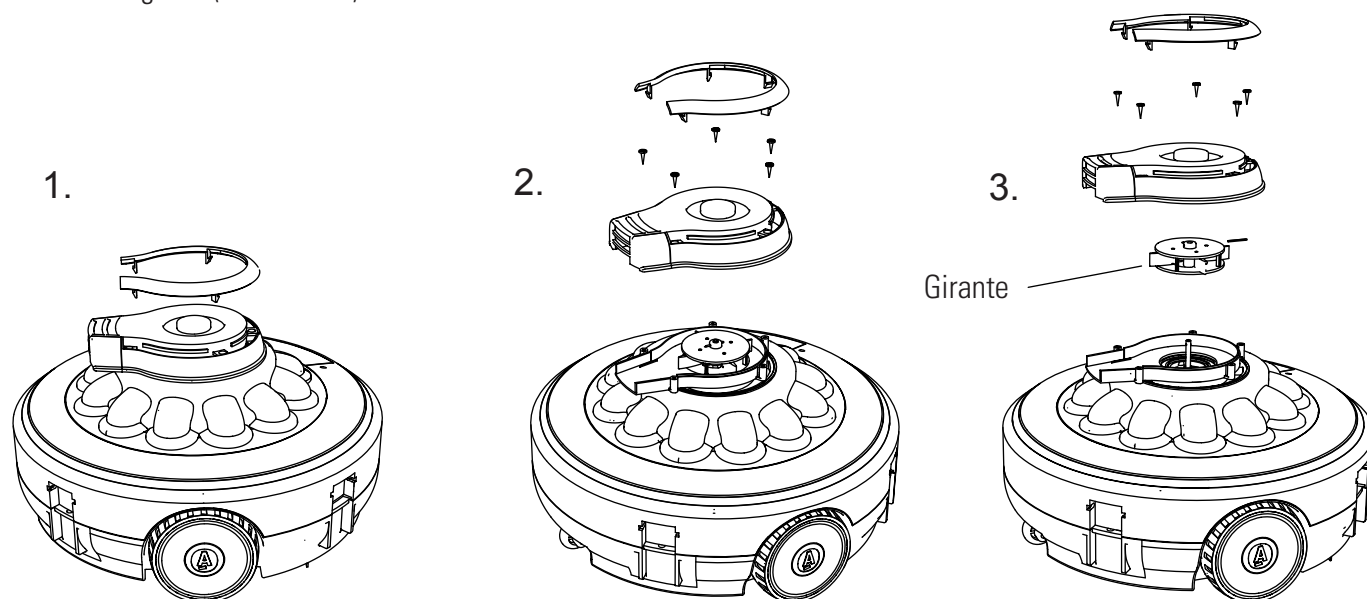
MANUTENZIONE E STOCCAGGIO

1. La batteria si scarica da sola durante lo stoccaggio. Assicurarsi che il robot sia completamente carico prima dello stoccaggio.
2. Quando non viene utilizzato, occorre caricare la batteria almeno ogni tre mesi.
 - Scollegare l'adattatore esterno dalla presa e in seguito il cavo di carica dall'adattatore esterno e il robot.
 - Rimuovere l'attacco dal robot. Se necessario, risciacquare il robot e gli accessori con acqua corrente. Non utilizzare detersivi.
 - Prima dello stoccaggio, assicurarsi che sia asciutto.
 - Utilizzare un panno umido per pulire e asciugare il robot e i suoi accessori.
 - Riporre in un luogo ben ventilato lontano da luce solare, calore, fiamme, sostanze chimiche della piscina e dai bambini.
 - La temperatura di stoccaggio deve essere compresa tra 10 °C – 25 °C (50 °C–77 °C).

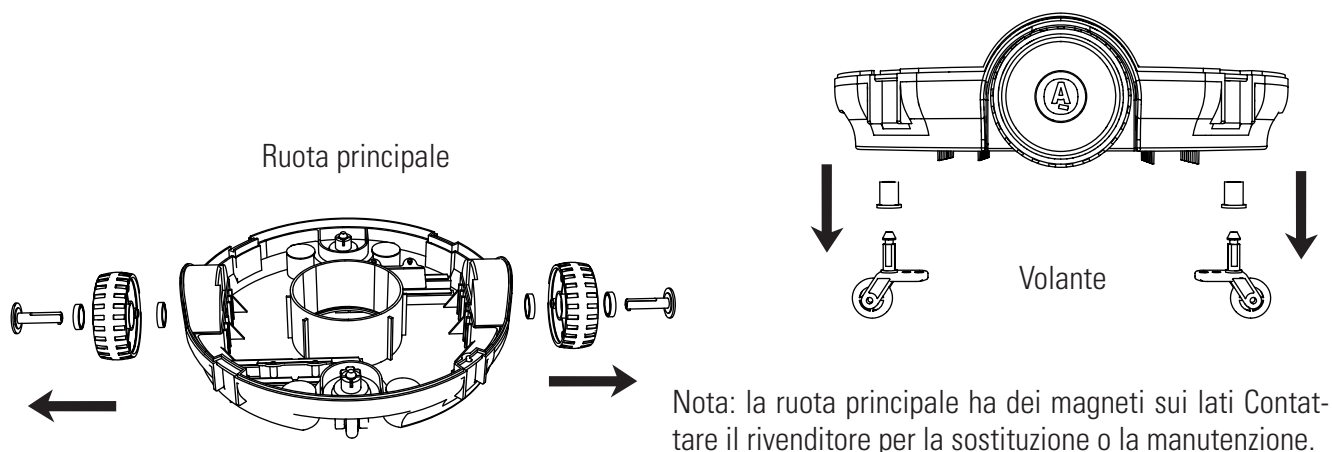
Nota: Una temperatura più elevata potrebbe ridurre la vita utile della batteria.

Manutenzione e sostituzione del girante

Attrezzo consigliato (non incluso): cacciavite



Maintenance and replacement of wheels



MONTAGGIO E SOSTITUZIONE DELLA BATTERIA

Attenzione!

Non trattare gli apparecchi elettrici come rifiuti urbani non classificati, utilizzare impianti di raccolta differenziata.

- Per informazioni sui sistemi di raccolta disponibili, contattare il governo locale.
- Non rimuovere la batteria al litio senza autorizzazione.
- Quando si rimuove la batteria al litio dal dispositivo per il vuoto, si prega di togliere eventuali anelli, bracciali, collane e orecchini.
- La corrente di corto circuito generata da una batteria è sufficiente per assorbire l'anello (o elementi simili), provocando severe bruciature.
- Prima di rimuovere il pacchetto batteria, indossare una protezione per gli occhi, guanti e abiti protettivi. Prestare attenzione a non toccare i fili o le parti metalliche in quanto ciò causerà scintille o corto circuito.
- Non fumare, provocare scintille o fiamme vicino al pulitore, ciò incendierà la batteria e produrrà gas. Evitare l'esposizione della batteria al fuoco o a temperature elevate, altrimenti potrebbero verificarsi delle esplosioni.

Nota!

In caso di perdita di liquidi dalla batteria, evitare il contatto con la batteria danneggiata e introdurla all'interno di un sacchetto. Se la pelle o gli abiti entrano in contatto con l'acido, lavare immediatamente la parte con abbondante acqua e sapone. Se gli occhi entrano in contatto con l'acido, risciacquarli con acqua per almeno 15 minuti e contattare un medico.

RISOLUZIONE DEI PROBLEMI

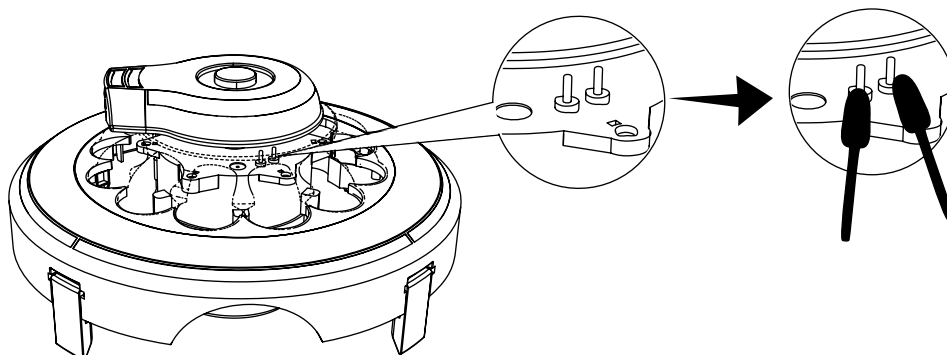
In caso di problemi con il pulitore, seguire le indicazioni riportate prima di ripristinarne l'utilizzo. Nota: spegnere l'apparecchio prima di eseguire qualsiasi riparazione.

Problema	Possibili cause	Soluzione
Il robot non cattura le parti di sporco.	Il livello della batteria è basso.	Procedere alla carica del robot.
	Girante bloccato.	Spegnere l'alimentazione del robot e controllare visivamente se il girante ruota. Se necessario, contattare il proprio rivenditore per ulteriori istruzioni. Avvertenza! Prima di intervenire sul dispositivo, assicurarsi che sia spento.
	Girante danneggiato.	Contattare il proprio rivenditore per la sostituzione.
	Il vano portaoggetti è pieno.	Pulire il vano portaoggetti e il coperchio del filtro.
Il robot smette di muoversi al centro della piscina (la testa rotante sta ancora girando).	Il robot è stato fermato da un ostacolo. Il terreno non è totalmente livellato	Controllare il pulitore per eventuali ostruzioni. Rimuovere gli ostacoli.
	Il robot è bloccato dall'aspirazione dello scarico principale del pavimento della piscina.	Spegnere il sistema di filtrazione (fare riferimento alle istruzioni presenti nel manuale).
	Il terreno non è totalmente livellato	Ci vuole più tempo prima di spostarsi di nuovo o livellare il fondo della piscina o tagliare la striscia della spazzola inferiore. Contattare il proprio rivenditore per le parti di ricambio.
Il robot non può coprire l'intera piscina / muoversi lungo la parete della piscina.	Il vano portaoggetti è pieno.	Pulire il vano portaoggetti e il coperchio del filtro.
	Il tempo di funzionamento è stato più breve del previsto.	Pulire la camera del filtro e ricaricare il robot per 4-5 ore.
	La circolazione dell'acqua generata dal sistema di filtrazione interrompe la direzione del movimento.	Spegnere il sistema di filtrazione (fare riferimento alle istruzioni presenti nel manuale).
	La ruota è bloccata.	Controllare e rimuovere le parti di sporco.
Il robot si muove lentamente.	Il vano portaoggetti è pieno.	Pulire il vano portaoggetti e il coperchio del filtro.
La testa girevole non ruota o ruota lentamente.	Il fondo del girante è bloccato.	Il vano portaoggetti è pieno, controllare e rimuovere eventuali parti di sporco che potrebbero essere incastrate sotto la testa rotante. Può essere ruotato a mano e risciacquato con acqua fino a che non risulta liscio.
	Il vano portaoggetti è pieno.	Pulire il vano portaoggetti e il coperchio del filtro.
I detriti sono fuoriusciti dal robot.	La valvola dell'ugello di aspirazione (fondo del pulitore) è rotta.	Il deflettore sulla ventosa è come una porta per impedire la fuoriuscita di detriti dalla camera dei detriti. Contattare il proprio rivenditore per parti di ricambio e istruzioni.
I detriti penetrano all'esterno del coperchio del filtro.	Il coperchio del filtro è danneggiato.	Sostituire il coperchio del filtro con uno nuovo. Contattare il proprio rivenditore per le parti di ricambio.

Problema	Possibili cause	Soluzione
Il robot non riesce a caricarsi.	Danni alla batteria.	Contattare il rivenditore per sostituire la batteria. Avvertenza! Non accendere il robot e sostituire la batteria da soli. Ciò può causare lesioni gravi o mortali, quindi la garanzia non sarà valida.
	Il cavo di ricarica non è completamente collegato all'adattatore esterno e al robot.	Assicurarsi che il cavo del caricabatterie sia correttamente e completamente collegato all'adattatore esterno e al robot. Fare riferimento al manuale utente.
	L'adattatore esterno è rotto.	Contattare il rivenditore per la sostituzione. Avvertenza! L'uso di un adattatore esterno errato provocherà danni al robot/alla batteria e annullerà la garanzia.
Il robot può ancora lavorare senza acqua.	Il robot è ancora bagnato e il contatto è in cortocircuito, quindi il robot può ancora lavorare senza acqua.	Lascialo fuori dall'acqua per qualche secondo e aspetta che l'acqua si asciughi.
	E' presente dello sporco nel punto di contatto, ad esempio capelli bagnati, che causa un cortocircuito del contatto.	Rimuovere i capelli e altri rifiuti con gli strumenti appositi.
	Scheda circuito danneggiata.	Contattare il rivenditore per la sostituzione.

Problema	Possibili cause	Soluzione
Se sul caricatore compare la luce rossa per tutto il tempo, non può passare a verde per oltre 8 ore.	Danno alla batteria.	Contattare il rivenditore per sostituire la batteria. Avvertenza! Non accendere il robot e sostituire la batteria da soli. Ciò può causare lesioni gravi o mortali, e annullerà la validità della garanzia.
Se il caricatore passa a verde in brevissimo tempo e anche il dispositivo viene messo in funzione solo per un breve periodo tempo (entro mezz'ora, Necessita di più convalide).		
Quando il prodotto inizia a caricare dopo aver terminato l'operazione, se sul caricatore compare la luce verde per tutto il tempo. (Assicurarsi che il cavo del caricatore sia correttamente e completamente collegato all'adattatore e al robot esterno.)	Danno al caricatore..	Contattare il rivenditore per la sostituzione. Avvertenza! L'uso di un adattatore esterno sbagliato provocherà danni al robot / alla batteria e annullerà la garanzia.
Se sul caricatore non si accende più alcuna luce.		
Pulsante non funzionante o spento. *	C'è sporco intorno al sensore o ossidazione del sensore.	Pulire il sensore con carta, panno o spazzola, come da foto; oppure vedere il video online.

*



VEILIGHEIDSWAARSCHUWING

Bij de installatie en het gebruik van deze elektrische apparatuur moet u altijd de basisveiligheidsmaatregelen opvolgen. Lees het volgende zorgvuldig door

WAARSCHUWING

De reiniger is geen speelgoed en moet worden bediend door personen ouder dan 8 jaar.

Alle personen die de reiniger bedienen, moeten de handleiding zorgvuldig lezen voor gebruik.

(1) De reiniger is ontworpen voor het reinigen van een zwembad of SPA.

(2) Gebruik de originele accu's en lader wanneer u de reiniger gebruikt..

(3) De reiniger alleen opladen wanneer hij is uitgeschakeld.

(4) Zet de reiniger weg op een schone en droge plaats. Stel hem niet bloot aan direct zonlicht of aan explosiegevaarlijke stoffen.

(5) De filterzak kan gemakkelijk kapot gaan als zich scherpe materialen in het water bevinden.

(6) De reiniger stopt automatisch met werken als het water op is.

(7) Blijf uit de buurt van de vacuümkop tijdens de werking, door de zuigkracht kunt u, uw kinderen of huisdieren letsel oplopen door dat huid, haar of kleding worden vastgezogen.

(8) Reiniger niet demonteren zonder professionele aanwijzingen door kennisgeving aan de erkende distributeur of fabrikant.

(9) Mors geen smeeroilolie, daardoor raakt het water vervuild.

(10) Stop om de reiniger te laten werken als er iets niet goed is; neem contact op met de erkende distributeur of vervang kapotte delen met originele onderdelen/accessoires..

(11) Werkomstandigheden van de reiniger::

(11)-1 Maximale waterdiepte voor gebruik: 3 m (10 ft)

(11)-2 Watertemperatuur: 4°C(39.2°F)-35°C(95°F)

1. Oplader

Als u dit elektrische apparaat installeert en gaat gebruiken, moet u altijd de basisvoorschriften voor de veiligheid volgen. Lees het volgende zorgvuldig door;

(1) Gebruik alleen de meegeleverde originele oplader.

(2) Alleen voor gebruik binnenshuis. De oplader mag niet buiten worden gebruikt en mag niet worden blootgesteld aan regen, vocht, vloeistoffen of hitte.

(3) Houd de oplader buiten het bereik van kinderen.

(4) Gebruik de oplader nooit als er schade wordt geconstateerd.

(5) De stofzuiger en de oplader niet met natte handen en blote voeten aanraken als u de stofzuiger oplaadt.

(6) Haal de oplader uit het stopcontact wanneer u hem niet gebruikt.

(7) Als het snoer is beschadigd ,moet de oplader worden vervangen voor een nieuwe om gevaar te voorkomen.

(8) Controleer of de stofzuiger en oplader helemaal droog zijn voordat u gaat opladen.

(9) Laad de reiniger 4-5 uur op voor het eerste gebruik. Meestal werkt de stofzuiger ongeveer 60 minuten wanneer de batterij volledig is opgeladen.

2. Accu verwijderen

(1) De stofzuiger is voorzien van een lithium-accu, deze moet op de juiste manier worden verwijderd. Neem daarvoor contact op met uw gemeente voor meer informatie.

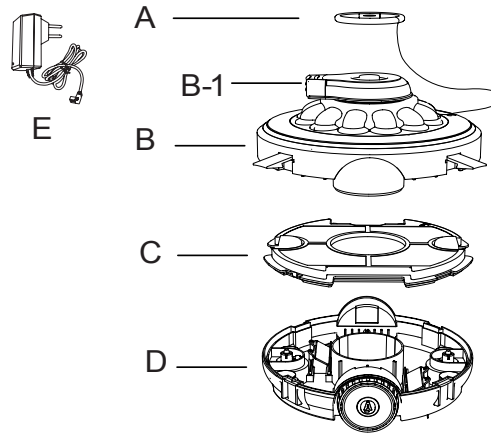
(2) Probeer nooit de lithiumbatterij te demonteren zonder toestemming van gekwalificeerd personeel, onderhoudspersoneel of de fabrikant

Bovenstaande waarschuwingen en voorzorgsmaatregelen zijn niet bedoeld om alle mogelijke gevallen van risico's en/of ernstig letsel op te nemen. Eigenaars van zwembaden/spa's moeten altijd zeer voorzichtig en met gezond verstand te werk gaan bij het gebruik van de reiniger.

GEBRUIKSHANDLEIDING

MONTAGE

- A: Drijver
- B: Bovenste afdekking
- B-1: Straalkop
- C: Filter
- D: Onderkant basis
- E: Oplader



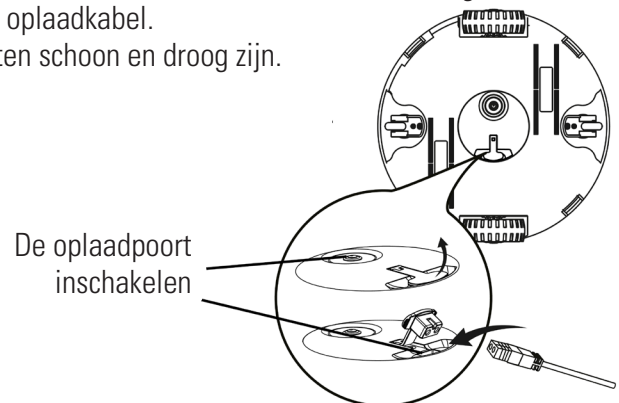
Er zit een roterende straalkop aan de bovenklep, het water stroomt van de onderkant naar de straalkop om de robot in beweging te brengen. Als hij naar een obstakel tegenkomt, draait de straalkop 180 graden en beweegt de robot langs een andere lijn rond het obstakel. Het vuil wordt verzameld en opgeslagen doordat de onderste filterkamer.

MONTAGE EN WERKING

Waarschuwing bij opladen

- Gebruik alleen de bijgeleverde originele externe adapter en oplaadkabel.
- Controleer voor het aansluiten of de robot en oplaadcontacten schoon en droog zijn.
- Laad de robot op voor het eerste gebruik (ongeveer 4-5 uur)

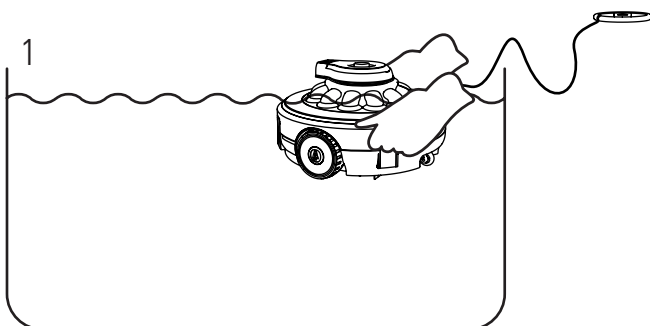
Bodemafdekking aan de onderkant



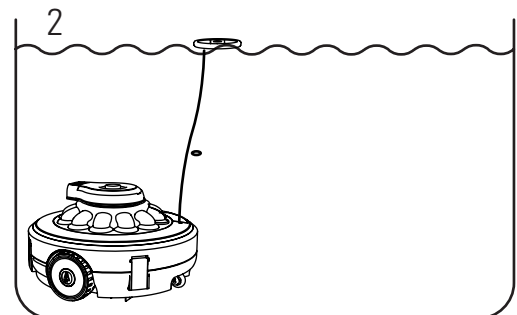
LET OP:

Zodra de robot begint met opladen, wordt het indicatielampje op de externe adapter rood. Als de robot bijna volledig is opgeladen, wordt het indicatielampje groen

Aanzetten

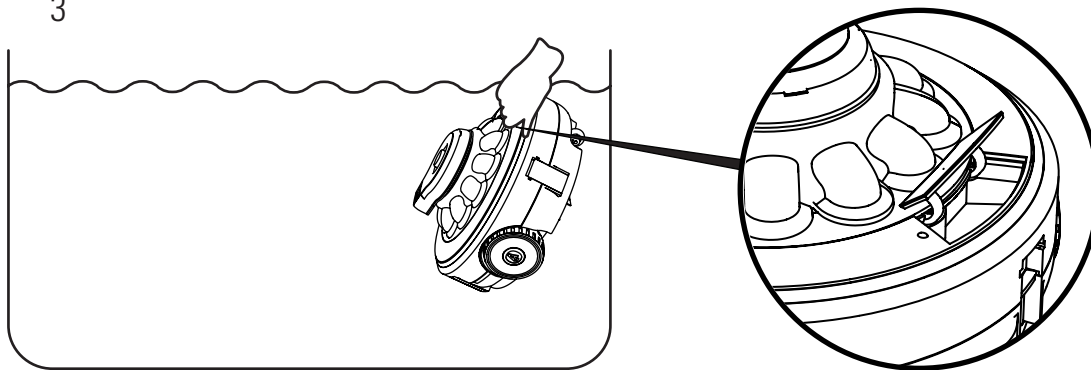


Zet de schakelaar aan, maak het touw aan de drijver los, plaats de robot horizontaal in het zwembad en wacht tot de robot vrij naar de bodem zakt. (als het apparaat niet in het water wordt geplaatst, zal de motor niet draaien omdat het is voorzien van de functie «stoppen buiten het water»).



Pas de lengte van het touw aan om ervoor te zorgen dat de lengte van het touw gelijk is aan het waterniveau, en dat de overtollige lengte van het touw wordt vastgeknoopt of ingekort.

3



Open dit klepje, zo kunt u de robot eenvoudig oppakken en dragen.

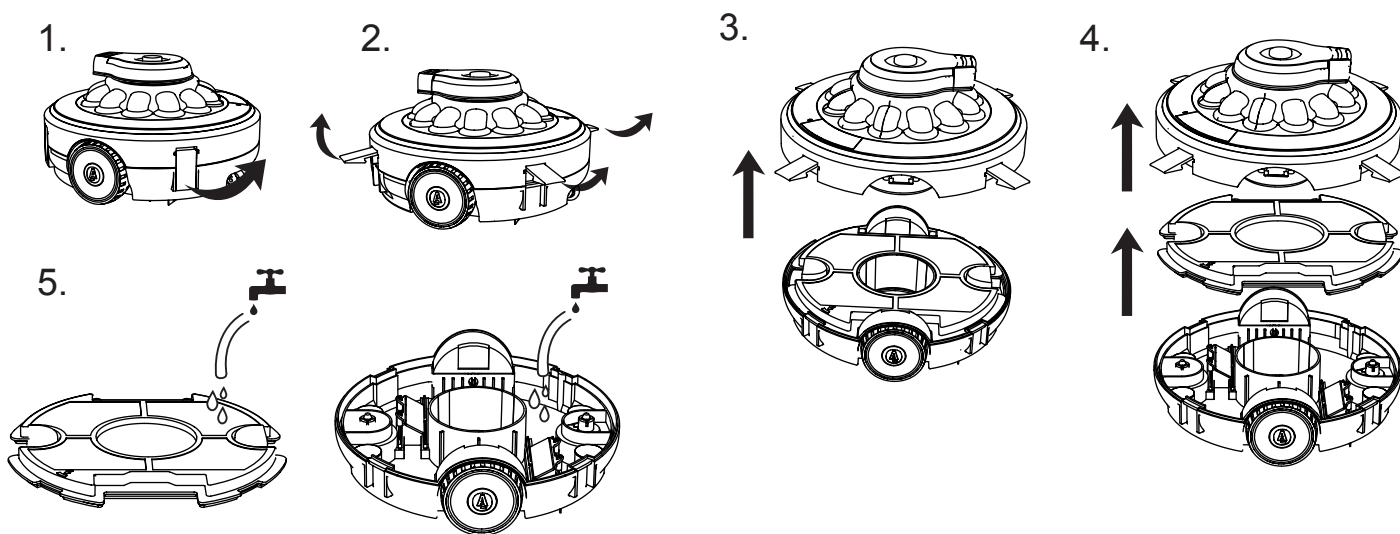
Als de robot geen stroom heeft, stopt hij automatisch aan de rand van het zwembad. Hij kan ook in het midden van het zwembad tot stilvallen doordat er obstakels zijn

LET OP:

1. Het wordt aanbevolen om het filtersysteem uit te schakelen, aangezien de watercirculatie in het zwembad invloed kan hebben op de bewegingsmodus van de robot.
2. Elk obstakel in het zwembad, bijv. een trap, heeft invloed op het schoonmaakpad van de robot;
3. Als u een zoutwatertank gebruikt, zorg er dan voor dat al het zout is opgelost voordat u de robot in het water plaatst.

Voor de juiste werking van het apparaat moet de bodem volledig vlak zijn en indien het een zwembad betreft dat is voorzien van een liner (de aparte binnenbekleding waar het water in wordt vastgehouden), mogen er geen vouwen of kreukels in de liner zitten.

VUIL VERWIJDEREN



ONDERHOUD EN OPSLAG

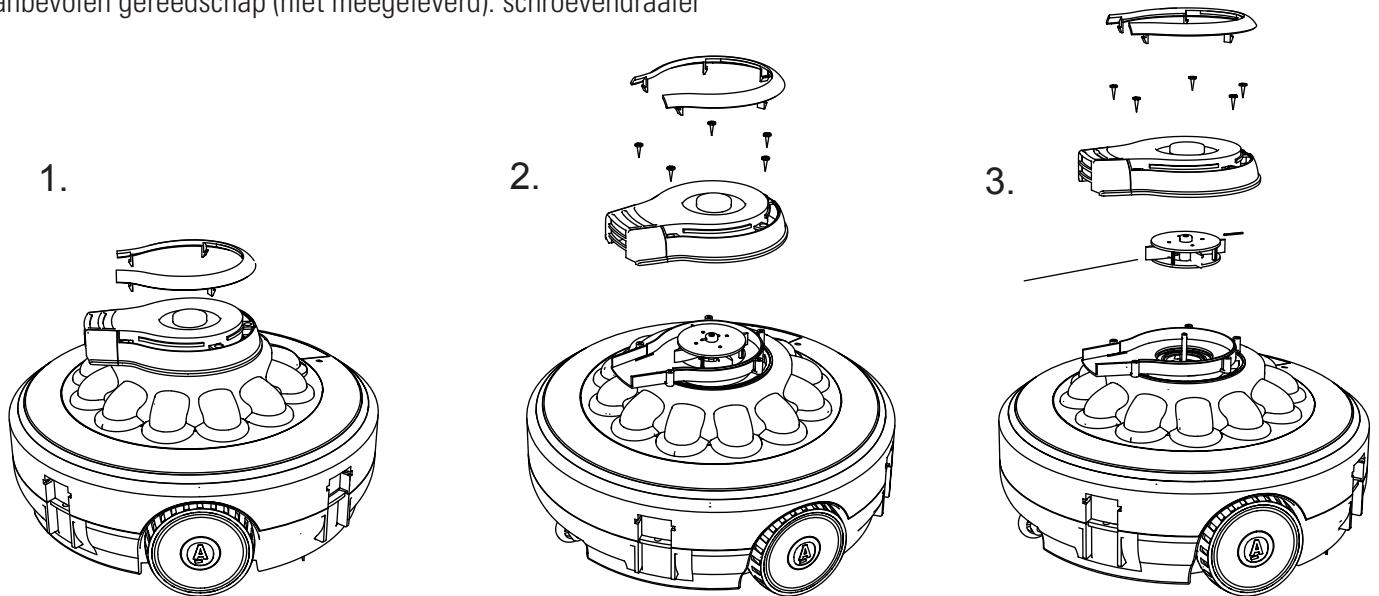
1. De accu ontladtd zichzelf tijdens opslag. Zorg ervoor dat de robot volledig is opgeladen voordat u hem opbergt.
2. Als u de robot niet gebruikt, moet u de batterij minstens een keer in de drie maanden opladen.
 - Koppel de externe adapter los van het stopcontact en haal vervolgens de oplaadkabel uit de externe adapter en uit de robot.
 - Verwijder het opzetstuk van de robot. Spoel de robot en accessoires indien nodig af met schoon water. Gebruik geen schoonmaakmiddelen.
 - Zorg ervoor dat de robot is leeggelopen voordat u hem opbergt.
 - Gebruik een vochtige doek om de robot en zijn accessoires schoon te maken en af te drogen.
 - Bewaar op een goed geventileerde plaats, buiten het bereik van direct zonlicht, hitte, vuur, zwembadchemicaliën en kinderen.

- De omgevingstemperatuur van de opslagruimte moet tussen de 10 °C - 25 °C (50 °F - 77 °F) zijn.

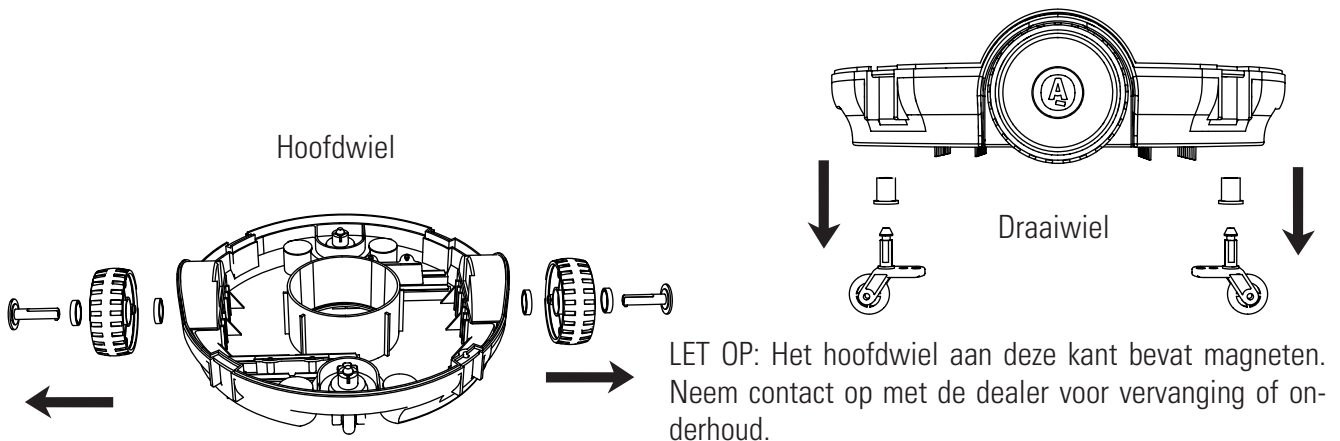
LET OP: hogere opslagtemperaturen kunnen de levensduur van de accu verkorten.

Onderhoud en vervanging van de waaier

Aanbevolen gereedschap (niet meegeleverd): schroevendraaier



Onderhoud en vervanging van de wielen



ACCU MONTEREN EN VERVANGEN

Waarschuwing!

Behandel elektrische apparaten niet als niet-geclassificeerd gemeentelijk afval, maar gebruik speciale inzamelingsfaciliteiten. Neem contact op met uw lokale overheid voor informatie over beschikbare inzamelingsystemen.

- Verwijder de lithiumaccu niet zonder toestemming.
- Verwijder uw ringen, armbanden, kettingen en horloge wanneer u de lithiumaccu uit de stofzuiger haalt.
- De kortsluitstroom die door een accu wordt gegenereerd, is voldoende om een ring of armband (of dergelijke metalen voorwerpen) te laten smelten, wat ernstige brandwonden veroorzaakt.
- Draag een veiligheidsbril, handschoenen en beschermende kleding voordat u de accu verwijdert.
- Let erop dat u de draad of metalen onderdelen niet aanraakt, anders kunnen er vonken of kortsluiting ontstaan..
- Rook niet en veroorzaak geen vonken of vlammen in de buurt van de stofzuiger, anders kan de batterij ontbranden en gas produceren.
- Stel de batterij niet bloot aan vuur of hoge temperaturen: dit kan een explosie veroorzaken.

LET OP!

In geval van een lekkende accu: Vermijd contact met de beschadigde accu en stop deze in een plastic zak.

Als huid of kleding in contact komt met accuzuur, was ze dan onmiddellijk met veel water en zeep.

Als de ogen in contact komen met accuzuur, spoel de ogen dan minstens 15 minuten met water en ga voor behandeling naar een arts

PROBLEMEN OPLOSSEN

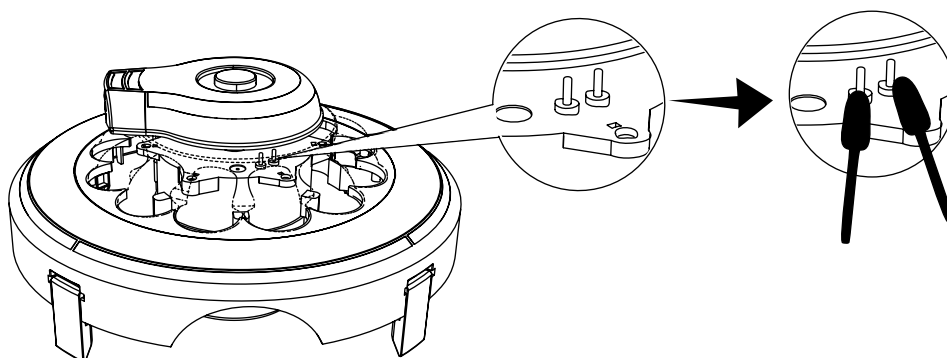
If you have problems with your cleaner, follow the troubleshooting steps below to restore performance. Note: turn off the power before making any repairs.

Probleem	Mogelijke oorzaken	Oplossing
De robot zuigt geen vuil op.	De accu is leeg.	Laad de robot op.
	De waaier zit vast.	Schakel de voeding van de robot uit en controleer visueel of de waaier draait. Neem indien nodig contact op met uw dealer voor verdere instructies. Waarschuwing! Zorg ervoor dat de robot is uitgeschakeld voordat u onderhoud aan het apparaat uitvoert.
	De waaier is defect.	Neem contact op met de dealer voor vervangende onderdelen.
	Het vuilreservoir zit vol.	Reinig het vuilreservoir en het filterdeksel.
De robot stopt met bewegen in het midden van het zwembad (de roterende kop draait nog wel).	De robot is gestopt vanwege een obstakel.	Controleer de stofzuiger op verstoppingen. Obstakels weghalen.
	De robot zit vast door de zuigkracht van de afvoer in de bodem van het zwembad.	Schakel het filtersysteem uit (zie instructies in de handleiding).
	De bodem is niet helemaal vlak.	Het kan enkele minuten duren voordat de root weer verder gaat. Zo niet, kunt u de bodem van het zwembad glad trekken of de onderste onderste borstelstrip afknippen. Neem contact op met de dealer voor vervangende onderdelen.
De robot kan niet het hele zwembad afwerken / langs de wand van het zwembad bewegen.	Het vuilreservoir zit vol.	Reinig het vuilreservoir en het filterdeksel.
	De werkingstijd was korter dan verwacht.	Maak de filterkamer schoon en laad de robot gedurende 4-5 uur op.
	De watercirculatie die door het filtersysteem wordt gegenereerd, onderbreekt de bewegingsrichting.	Schakel het filtersysteem uit (zie instructies in de handleiding).
	Het wiel is geblokkeerd.	Controleer de wielen en verwijder vuilresten.
De robot beweegt langzaam	Het vuilreservoir zit vol.	Reinig het vuilreservoir en het filterdeksel.
De draaikop draait niet of draait duidelijk te langzaam.	De onderkant van de wartel zit vast.	Het vuilreservoir is vol; controleer en verwijder al het vuil dat mogelijk onder de roterende kop vastzit. Hij kan met de hand worden gedraaid en met water worden afgespoeld tot hij schoon is.
	Het vuilreservoir zit vol.	Reinig de vuilreservoir en het filterdeksel.
Het vuil loopt weg uit de robot.	De klep van de zuigmond (onderkant stofzuiger) is kapot.	De klep bij de zuigkop werkt als een klep die voorkomt dat er vuil uit het vuilreservoir ontsnapt. Neem contact op met uw dealer voor vervangende onderdelen en instructies.
Er lekt vuil uit de buitenkant van het filterdeksel.	Het filterdeksel is beschadigd.	Vervang de filterafdekking voor een nieuwe. Neem contact op met de dealer voor vervangende onderdelen.

Probleem	Mogelijke oorzaken	Oplossing
De robot laadt niet op.	De accu is beschadigd.	Neem contact op met de dealer om de accu te vervangen. Waarschuwing! Zet de robot niet aan en vervang de accu niet zelf. Dit kan ernstig of dodelijk letsel veroorzaken, en de garantie vervalt.
	De oplaadkabel is niet goed aangesloten op de externe adapter en de robot.	Zorg ervoor dat de oplaadkabel correct en volledig is aangesloten op de externe adapter en robot. Raadpleeg de gebruikershandleiding.
	De externe adapter is defect.	Neem contact op met de dealer voor vervangende onderdelen. Waarschuwing! Het gebruik van de verkeerde externe adapter zal resulteren in schade aan de robot en/of accu, waardoor de garantie vervalt.
De robot blijft in werking als hij uit het water is.	De robot is niet droog en het contact heeft kortsluiting waardoor de robot buiten het water blijft doorwerken.	Haal hem tijdelijk uit het water en wacht tot het vocht is opgedroogd.
	Er zit vuil op het contactpunt, zoals nat haar, waardoor kortsluiting is ontstaan.	Verwijder haren en andere vuilresten met gereedschappen.
	Printplaat is beschadigd	Neem contact op met de dealer voor vervangende onderdelen.

Probleem	Mogelijke oorzaken	Oplossing
Als de oplader de hele tijd rood licht geeft, en hij verandert niet meer binnen 8 uur naar groen	Accu defect.	Neem contact op met de dealer om de accu te vervangen. Waarschuwing! De robot niet aanzetten en de accu niet zelf vervangen. Dit kan ernstig of dodelijk letsel veroorzaken en dus zal de garantie komen te vervallen.
Als het lampje op de oplader al heel snel naar groen springt, en het apparaat ook alleen maar heel kort werkt (minder dan een half uur), moeten er meerdere dingen worden nagekeken.		
Als het apparaat begint met opladen nadat het werk klaar is, brandt het groene lampje op de oplader constant. (Zorg ervoor dat de oplaadkabel goed en helemaal is aangesloten op de externe adapter en de robot.)	Oplader is beschadigd.	Neem contact op met de dealer voor vervanging. Waarschuwing! Het gebruik van de verkeerde externe adapter leidt tot schade aan de robot/accu en maakt de garantie ongeldig.
Als het oplaadlampje niet meer brandt.		
Schakelaar werkt niet of uit. *	Er zit rommel rond de sensor of de sensor is geoxideerd.	Maak de sensor schoon met papier, een doek of een borstel, zoals de foto's; of zie video online.

*



ADVERTÊNCIA DE SEGURANÇA

Ao instalar e utilizar este dispositivo elétrico, siga sempre as precauções básicas de segurança. Leia atentamente a seguinte informação

ADVERTÊNCIA

O robô limpa-fundos não é um brinquedo, e deve ser manipulado por uma pessoa maior de 8 anos.

Qualquer pessoa que maneje o limpa-fundos deve ler atentamente o manual de instruções antes de o utilizar.

- (1) O limpa-fundos foi concebido para limpar piscinas e spas.
- (2) Utilize unicamente as baterias e o carregador originais.
- (3) Carregue a bateria sempre com o limpa-fundos desligado.
- (4) Guarde o robô limpa-fundos num lugar limpo e seco, protegido da luz solar e afastado de materiais explosivos.
- (5) O saco do filtro rompe-se com facilidade se existirem elementos afiados dentro da água.
- (6) O limpa-fundos para automaticamente ao encontrar-se fora da água.
- (7) Não situe nenhum objeto perto da tampa de aspiração quando o robô estiver em funcionamento, devido à sua potência de sucção, em especial partes do corpo, animais, cabelos ou roupas.
- (8) Não desmonte o limpa-fundos sem assistência profissional, ou indicações do distribuidor autorizado ou do fabricante.
- (9) Não deixe que o óleo lubrificante se filtre para evitar contaminar a água da piscina.
- (10) Não utilize o limpa-fundos se detetar qualquer problema. Contacte o seu distribuidor autorizado, e utilize sempre peças e acessórios de substituição originais.
- (11) Condições de operação do limpa-fundos:
 - (11) - 1 Profundidade máxima da água: 3 m (10 ft)
 - (11) - 2 Temperatura da água: 4 °C (39,2 °F) - 35 °C (95 °F)

1. Carregador

Ao instalar e utilizar este dispositivo elétrico, siga sempre as precauções básicas de segurança. Leia atentamente as seguintes instruções

- (1) Utilize sempre o carregador original.
- (2) Uso exclusivo em interiores. O carregador não deve ser utilizado em exteriores e não deve estar exposto à chuva, à humidade, aos líquidos e ao calor.
- (3) Mantenha o carregador fora do alcance das crianças.
- (4) Não utilize o carregador se detetar quaisquer danos no mesmo.
- (5) Não manipule o limpa-fundos nem o carregador com as mãos húmidas nem com os pés descalços quando o limpa-fundos estiver em modo de carga.
- (6) Desconecte o carregador da corrente quando este não estiver em uso.
- (7) Se o cabo estiver danificado, substitua o carregador por um novo, para evitar riscos.
- (8) Assegure-se de que o limpa-fundos e o carregador estão completamente secos antes de proceder à carga das baterias.
- (9) Carregue o limpa-fundos por 4-5 horas antes do primeiro uso. Normalmente, o limpa-fundos funciona por cerca de 60 minutos quando a bateria está totalmente carregada.

2. Remoção da bateria

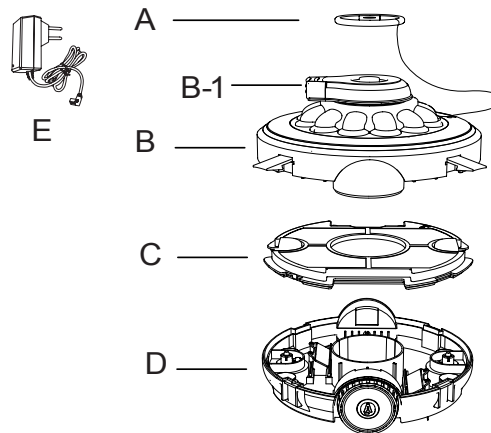
- (1) A bateria do limpa-fundos é de lítio, e deve ser eliminada corretamente; contacte os serviços municipais da sua zona para mais informação.
- (2) **Nunca tente desmontar a bateria de lítio sem autorização de pessoal qualificado, pessoal de serviço ou do fabricante.**

As advertências e precauções anteriores não pretendem ser exaustivas nem descrevem todos os possíveis perigos e riscos de lesões graves. Os proprietários de piscinas ou de spas devem prestar a máxima atenção em todo o momento e aplicar o sentido comum ao operar o robô limpa-fundos.

MANUAL DE INSTRUÇÕES

MONTAGEM

- A: Flutuador
- B: Tampa superior
- B-1: Cabeça de jato
- C: Filtro
- D: Base inferior
- E: Carregador



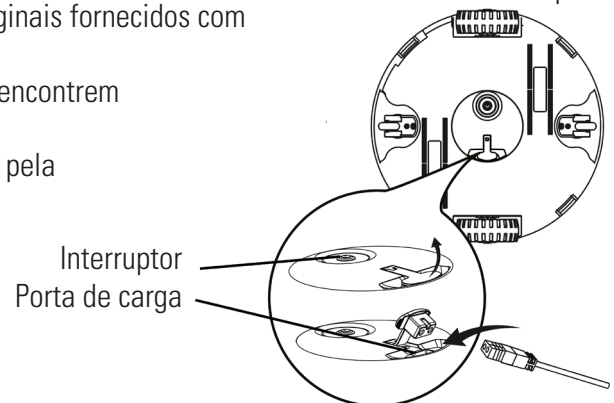
A cabeça de jato está situada na tampa superior. A água passa da parte inferior à cabeça, para que o robô avance. Ao encontrar um obstáculo, a cabeça gira 180°, fazendo o robô esquivar o obstáculo deslocando-se por outra linha. O filtro inferior recolhe e armazena os detritos num recipiente.

MONTAGEM E MODO DE FUNCIONAMENTO

Advertência de carga

- Utilize unicamente o adaptador externo e o cabo de carga originais fornecidos com o dispositivo.
- Assegure-se de que tanto o robô como os portos de carga se encontrem limpos e secos antes da instalação.
- Carregue completamente a bateria do robô antes de o utilizar pela primeira vez (aprox. 4 ou 5 horas).

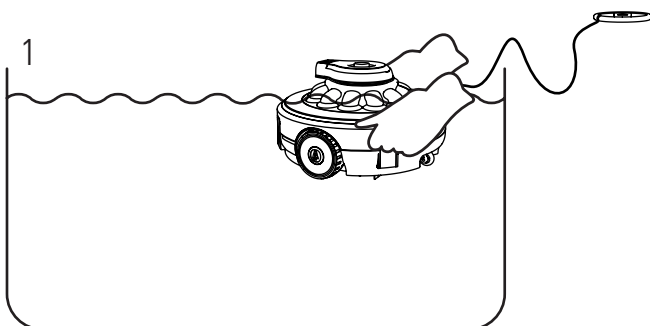
Vista inferior do dispositivo



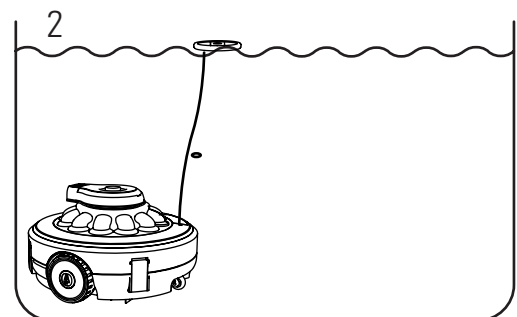
Nota:

Quando o robô começar a carregar, a luz piloto do adaptador externo acender-se-á em vermelho. Quando a bateria estiver praticamente carregada, o indicador iluminar-se-á em verde.

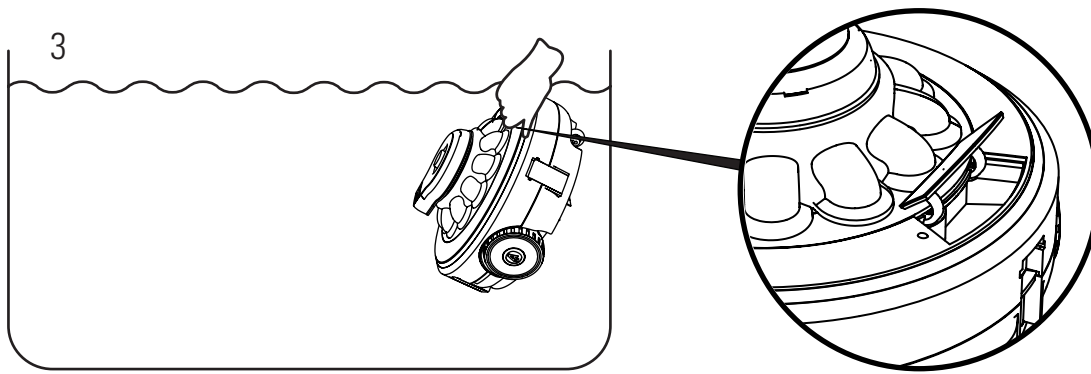
Ligar o robô



Prima o interruptor, solte a corda do flutuador, coloque o robô na posição horizontal dentro da piscina e espere que este se submerja por si mesmo até ao fundo. (Se o dispositivo não se introduz na água, a máquina não girará, porque incorpora uma função específica de paragem se estiver fora da água).



Ajuste o comprimento da corda para se assegurar de que esta está à altura do nível da água, e ate ou corte a corda sobranete.



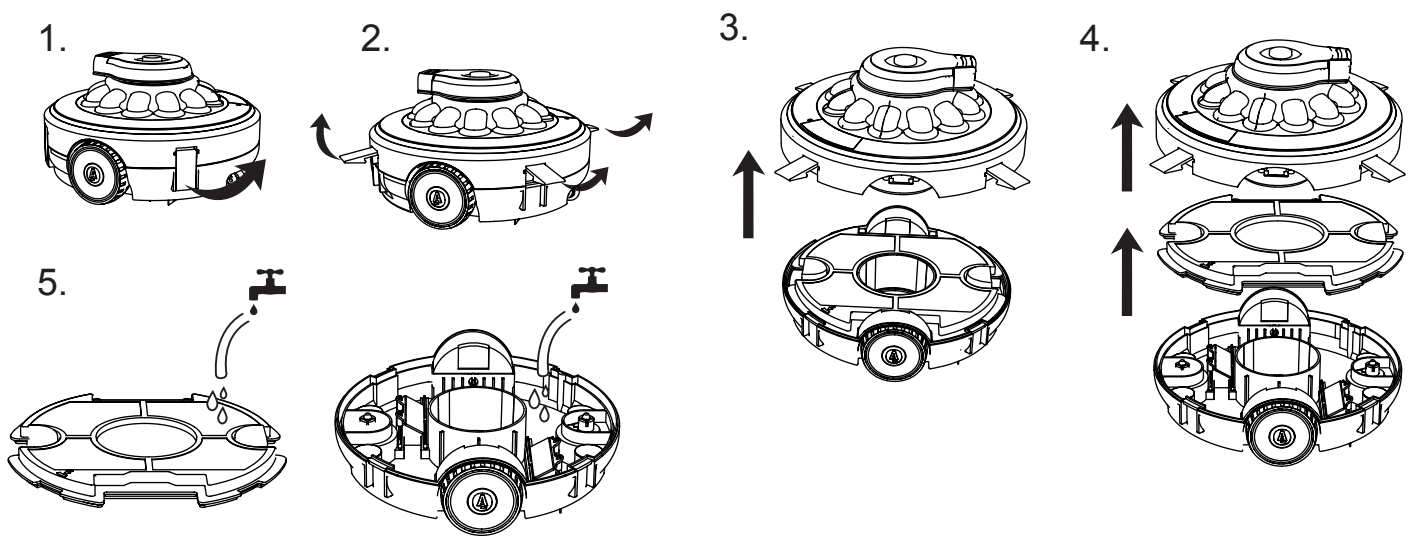
Abra esta portinhola para sujeitar o robô e para o extrair com facilidade.

Quando a bateria do robô se esgota, este detém-se automaticamente na borda da piscina. O robô também poderá ficar parado no meio da piscina, ao encontrar um possível obstáculo.

- Nota:**
1. É recomendável desativar o sistema de filtragem da piscina, uma vez que a circulação da água neste poderia afetar a deslocação do robô.
 2. Os obstáculos presentes na piscina, como, por exemplo, as escadas, afetarão a deslocação e o traçado de limpeza do robô.
 3. Se utiliza um depósito de sal, assegure-se de que esta se encontra totalmente dissolvida antes de introduzir o robô na água.

Para o correto funcionamento do aparelho, o chão deve ser totalmente plano e não deve ter rugas no liner (lona que contém a água), no caso de piscina com revestimento de material.

RETIRAR OS DETRITOS



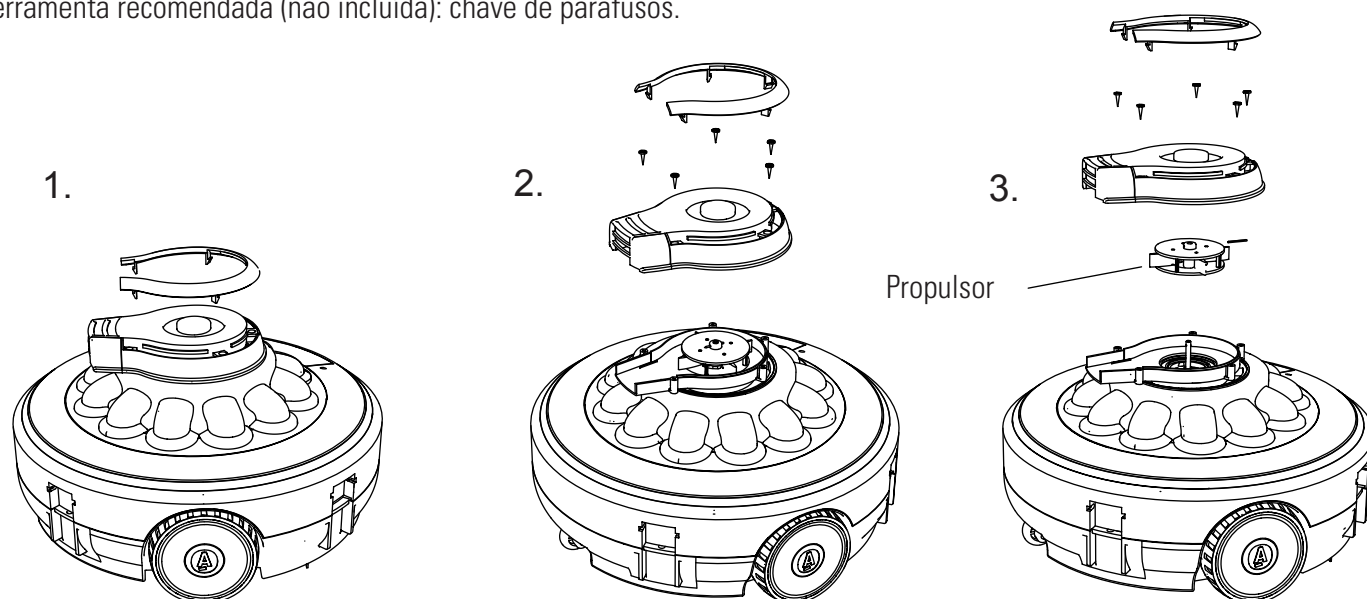
MANUTENÇÃO E ARMAZENAMENTO

1. A bateria descarrega-se sozinha quando o dispositivo permanecer guardado. Assegure-se de que o robô está completamente carregado antes de o guardar.
2. Recarregue a bateria pelo menos uma vez cada três meses, mesmo quando não utilizar o dispositivo.
 - Desconecte o adaptador externo da tomada e o cabo de carga do adaptador externo e do robô.
 - Retire os acessórios do robô. Se for necessário, aclare o robô e os seus acessórios com água limpa. Não utilize detergente.
 - Antes de guardar o robô, assegure-se de que este não contém restos de água no seu interior.
 - Utilize um pano húmido para limpar o robô e os acessórios, e seque-os bem.
 - Guarde o robô num lugar bem ventilado, protegido da luz solar, do calor, de fontes de ignição, de produtos químicos para a piscina, e das crianças.
 - A temperatura de armazenamento deve situar-se entre os 10 °C e os 25 °C (50 °F – 77 °F).

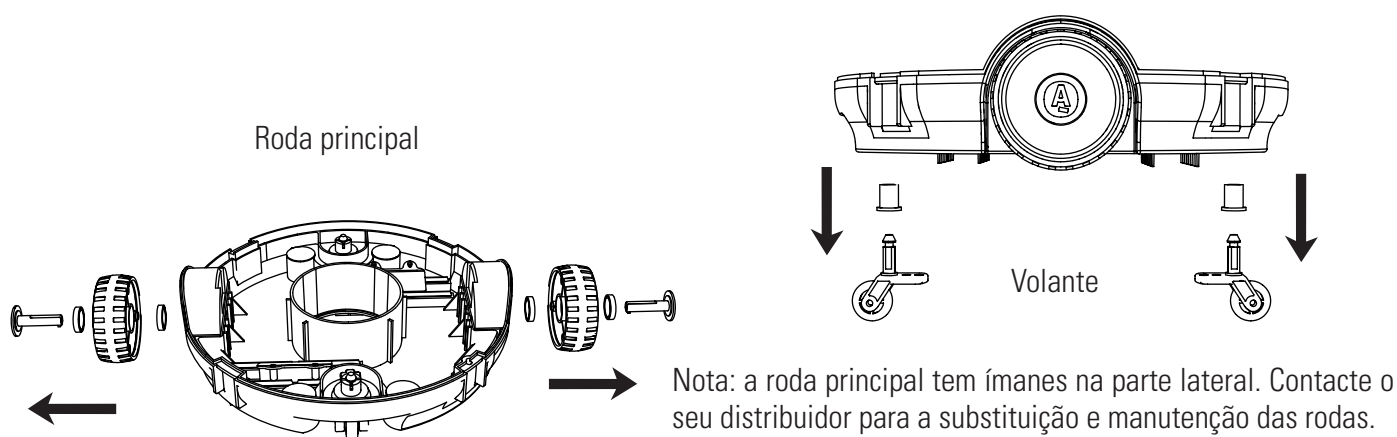
Nota: Se a temperatura de armazenamento for superior, a duração da bateria pode reduzir-se.

Manutenção e substituição do propulsor

Ferramenta recomendada (não incluída): chave de parafusos.



Maintenance and replacement of wheels



MONTAGEM E SUBSTITUIÇÃO DA BATERIA

Advertência!

Não trate os dispositivos elétricos como resíduos urbanos sem classificar. Entregue-os num ecoponto de recolha seletiva. Contacte os serviços municipais da sua zona para conhecer os sistemas de recolha disponíveis.

- Não extraia a bateria de lítio se não possuir autorização para o fazer.
- Tire quaisquer anéis, pulseiras, colares e relógios que utilize antes de extrair a bateria de lítio do dispositivo de aspiração.
- A corrente de curto-circuito gerada pela bateria é suficiente para ser absorvida pelos anéis (ou adornos similares), podendo causar queimaduras graves.
- Para extrair o conjunto das baterias, utilize óculos de proteção, luvas e roupa de proteção adequada.
- Tenha cuidado para não tocar nos cabos ou nas peças metálicas, para evitar que se produzam curto-circuitos ou chispas.
- Não fume nem produza chamas ou chispas perto do robô de limpeza de fundos de piscina, uma vez que poderia incendiar a bateria e produzir gases tóxicos. Evite expor a bateria ao fogo ou a temperaturas elevadas, para evitar o risco de explosão.

Nota:

Se a bateria apresentar indícios de filtrações, evite tocá-la, e introduza-a num saco de plástico. Em caso de contacto da pele ou de qualquer peça de vestuário com o ácido, lavar imediatamente com abundante água e sabão.

Em caso de contacto dos olhos com o ácido, enxaguar com água durante pelo menos 15 minutos, e procurar assistência médica.

RESOLUÇÃO DE PROBLEMAS

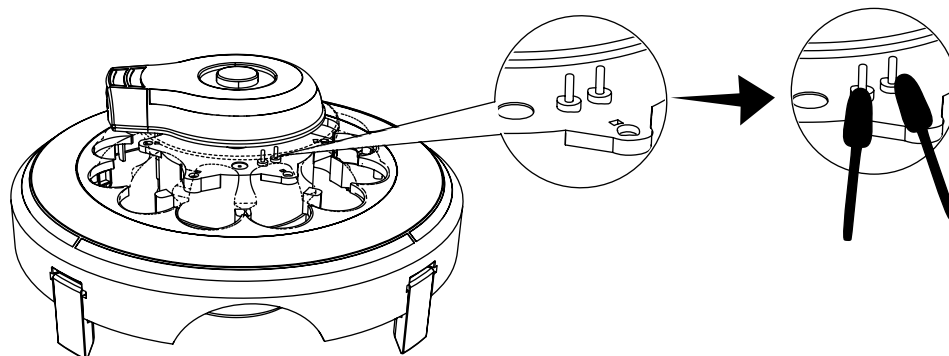
Se tiver problemas com o funcionamento do seu robô limpa-fundos, siga estes passos para recuperar o seu rendimento, Nota: Desligue o dispositivo antes de proceder a qualquer reparação.

Problema	Possíveis causas	Solução
O robô não absorve os resíduos.	Bateria descarregada.	Carregue a bateria.
	O propulsor está obstruído.	Apague o robô e comprove visualmente se o propulsor gira. Para mais informação, contacte o seu distribuidor. Advertência: antes de proceder à revisão do dispositivo, assegure-se de que este se encontra desconectado.
	Propulsor danificado.	Contacte o seu distribuidor para proceder à sua substituição.
	O compartimento está cheio.	Limpe o compartimento e a tampa do filtro.
O robô pára a meio da piscina, mas a cabeça rotativa continua a girar.	O robô parou ao encontrar um obstáculo.	Comprove se o trajeto do robô limpa-fundos está obstruído. Elimine os obstáculos.
	O robô está bloqueado pelo escoadouro de sucção do fundo da piscina.	Desative o sistema de filtragem (consulte o manual de instruções).
	O fundo da piscina não é totalmente plano.	Aguarde alguns minutos para que o robô volte a deslocar-se, ou alise o piso do fundo da piscina ou recorte a faixa de escovas inferior. Contacte o seu distribuidor para obter as peças de substituição necessárias.
O robô não cobre a piscina completa ou não se desloca ao longo da parede da piscina.	O compartimento está cheio.	Limpe o compartimento e a tampa do filtro.
	O período de operação é mais curto do que o previsto.	Limpe a câmara de filtragem e carregue a bateria do robô durante 4 ou 5 horas.
	A circulação da água devido ao sistema de filtrado interrompe a direção de deslocação.	Desative o sistema de filtragem (consulte o manual de instruções).
	Roda bloqueada.	Comprove se existem resíduos nas rodas, e retire-os se for o caso.
O robô desloca-se devagar.	O compartimento está cheio.	Limpe o compartimento e a tampa do filtro.
A cabeça rotativa não gira, ou gira demasiado devagar.	O fundo basculante está bloqueado.	O compartimento está cheio. Comprove se existem resíduos debaixo da cabeça rotativa, e retire-os se for o caso. Gire a cabeça rotativa manualmente e limpe-a com água até que se mova com suavidade.
	O compartimento está cheio.	Limpe o compartimento e a tampa do filtro.
Os resíduos saem do robô.	A válvula da boquilha de sucção (na parte inferior do robô) está danificada.	O defletor da ventosa funciona como porta para evitar que os resíduos saiam do compartimento. Contacte o seu distribuidor para obter as peças de substituição e as instruções sobre como proceder.
Os resíduos passam para o exterior da tampa do filtro.	A tampa do filtro está danificada.	Substitua a tampa do filtro por uma nova. Contacte o seu distribuidor para obter as peças de substituição.

Problema	Possíveis causas	Solução
A bateria do robô não carrega.	A bateria está deteriorada.	Contacte o seu distribuidor para substituir a bateria. Advertência: Não ligue o robô nem substitua a bateria pessoalmente, para evitar lesões graves ou fatais, e não invalidar a garantia.
	O cabo de carga não está bem conectado ao adaptador externo e ao robô.	Assegure-se de que o carregador está correctamente conectado ao adaptador externo e ao robô. Consulte o manual de instruções.
	Adaptador externo danificado.	Contacte o seu distribuidor para substituir o adaptador. Advertência: Se utilizar um adaptador externo incorreto, poderá causar o deterioro do robô ou da bateria, invalidando a garantia.
O robô funciona fora da água.	O robô continua a ter água no seu interior, e o contacto está em curto-circuito, pelo que o robô continua a funcionar fora de água.	Retire o robô da água durante alguns segundos e aguarde que se seque a água.
	Resíduos no ponto de contacto, como cabelos molhados, que provocam um curto-circuito do contacto.	Elimine os cabelos e o resto dos resíduos com as ferramentas adequadas.
	Placa de circuito impresso danificada.	Contacte o seu distribuidor para proceder à sua substituição.

Problema	Possíveis causas	Solução
Se o carregador mostrar uma luz vermelha fixa, não poderá mudar para a luz verde durante mais de 8 horas.	A bateria está danificada	Contacte o Distribuidor para substituir a bateria. Advertência: não ligue o robô nem substitua a bateria por si próprio. Pode causar lesões graves ou mortais e a garantia não será válida.
Se o carregador passar a ter uma luz verde em muito pouco tempo e o dispositivo também funcionar apenas durante um período breve (aprox. meia hora, precisa de validação múltipla).		
Quando o produto começar a carregar após concluído o trabalho, se o carregador mostrar uma luz verde contínua. (Certifique-se de que o cabo do carregador está ligado por completo e de forma correta ao adaptador externo e ao robô).	O carregador está danificado	Contacte o Distribuidor para a sua substituição. Advertência: se utilizar um carregador externo incorreto, poderá danificar o robô ou a bateria e anular a garantia.
Se o carregador já não se iluminar		
Quando ligado não funciona.	Existe sujeira ou ferrugem ao redor do sensor.	Limpe o sensor com um papel, pano ou uma escova, como na foto, e assista ao vídeo online.

*



BEZPIECZEŃSTWO

Produkt jest urządzeniem elektrycznym – przestrzegaj podstawowych zasad bezpieczeństwa podczas jego montażu i użytkowania. Przeczytaj starannie poniższe przepisy.

OSTRZEŻENIE!

Odkurzacz nie jest zabawką i powinien być używany przez osoby powyżej 8 r. życia.

Każdy, kto chce używać odkurzacza, powinien najpierw przeczytać starannie instrukcję jego obsługi.

1. Odkurzacz jest przeznaczony do czyszczenia basenów i jacuzzi.
2. Używaj odkurzacza wyłącznie z oryginalnymi akumulatorami i oryginalną ładowarką.
3. Ładuj akumulatory odkurzacza gdy jest on wyłączony.
4. Przechowuj odkurzacz w miejscu czystym i suchym. Trzymaj go z dala od światła słonecznego oraz od wszelkich substancji grożących wybuchem.
5. Filtr workowy jest delikatny i łatwo przedziurawi się, jeśli odkurzacz wciągnie ostre przedmioty znajdujące się pod wodą.
6. Odkurzacz wyłącza się samoczynnie po wyjęciu z wody.
7. Nie zbliżaj się do głowicy odkurzacza, jeśli jest włączony – siła ssania jest wystarczająco duża, by z łatwością wciągnąć części ciała ludzkiego, włosy, elementy odzieży oraz zwierzęta.
8. Nie wolno rozbierać odkurzacza bez profesjonalnej pomocy lub informacji od autoryzowanego sprzedawcy lub producenta urządzenia.
9. Nie wolno wylewać oleju smarowego – zanieczyszcza on wody.
10. Jeżeli odkurzacz nie działa prawidłowo, wyłącz go natychmiast i skontaktuj się z autoryzowanym sprzedawcą urządzenia lub wymień odpowiednio podzespoły / akcesoria na oryginalne zamienniki od producenta.
11. Warunki pracy odkurzacza:
 - 11.1. Maksymalna głębokość zanurzenia w wodzie: 3 m (10 ft)
 - 11.2 Temperatura wody: 4°C – 35°C (39,2°F – 95°F)

1. Ładowarka

Produkt jest urządzeniem elektrycznym – przestrzegaj podstawowych zasad bezpieczeństwa podczas jego montażu i użytkowania. Przeczytaj starannie poniższe przepisy:

1. Używaj wyłącznie oryginalnej ładowarki przeznaczonej dla tego urządzenia.
2. Jest przeznaczona wyłącznie do użytku wewnątrz pomieszczeń. Nie wolno używać ładowarki na zewnątrz pomieszczeń – chroń ją przed deszczem, wilgocią, zalaniem oraz wysoką temperaturą.
3. Ładowarkę należy przechowywać poza zasięgiem dzieci.
4. Bezwzględnie nie wolno używać ładowarki, jeśli jest uszkodzona.
5. Nie dotykaj ani ładowarki, ani odkurzacza mokrymi rękoma ani będąc boso – zwłaszcza gdy ładowarka jest podłączona do zasilania i ładuje urządzenie.
6. Odłącz ładowarkę od zasilania, gdy nie jest używana.
7. Jeśli przewód elektryczny został uszkodzony, trzeba wymienić ładowarkę na nową ze względu na niebezpieczeństwo porażenia prądem.
8. Przed rozpoczęciem ładowania odkurzacza oraz ładowarka muszą być całkowicie suche.
9. Przed pierwszym użyciem odkurzacza należy ładować go przez 4-5 godzin. Odkurzacz w pełni naładowany może w normalnych warunkach pracować przez około 60 minut.

2. Utylizacja akumulatora

1. Odkurzacz ma akumulator litowy który po zużyciu wymaga szczególnych metod utylizacji odpadów – w tej sprawie należy zasięgnąć informacji u władz samorządowych.
2. Nie wolno samodzielnie rozbierać akumulatora litowego, chyba że za pozwoleniem osób wykwalifikowanych, serwisu lub producenta urządzenia.

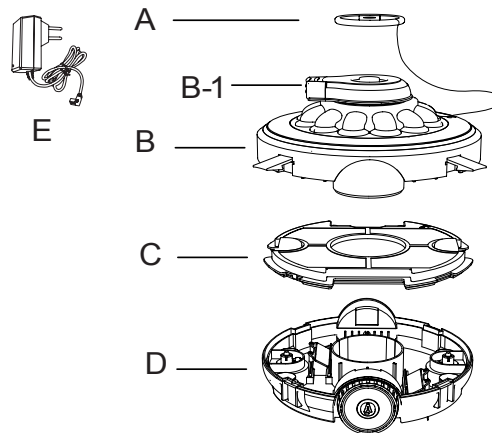
Powyższe ostrzeżenia i środki ostrożności nie uwzględniają wszelkich możliwych zagrożeń, w tym ciężkim wypadkiem na zdrowiu.

Użytkownicy basenów/jacuzzi powinni używać odkurzacza zachowując ostrożność oraz kierując się zdrowym rozsądkiem.

INSTRUKCJA OBSŁUGI

MONTAŻ

- A: Pływak
- B: Pokrywa górna
- B-1: Głowica strumieniowa
- C: Filtr
- D: Podstawa
- E: Ładowarka



Na pokrywie górnej znajduje się obrotowa głowica strumieniowa, która wyrzuca wodę zasysaną spod odkurzacza – odrzut strugi wody z głowicy powoduje, że odkurzacz porusza się. Gdy odkurzacz dojedzie do przeszkody, głowica obraca się o 180 stopni, przez co urządzenie zmienia kierunek ruchu, omijając przeszkodę. Odkurzacz zasysa i zbiera zanieczyszczenia od dołu obudowy, wciągając je do komory filtra workowego.

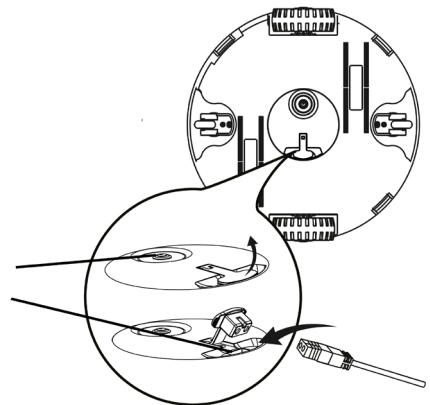
MONTAŻ I UŻYTKOWANIE

Ostrzeżenie o ładowaniu elektrycznym

- Używaj wyłącznie oryginalnej ładowarki i jej oryginalnego kabla.
- Zanim podłączysz ładowarkę do odkurzacza, sprawdź, czy gniazdo ładowania urządzenia oraz wtyczka ładowarki są suche i czyste.
- Naładuj fabrycznie nowy odkurzacz przez pierwszym użyciem (ładowanie powinno trwać 4-5 godzin).

Pokrywa dolna od spodu odkurzacza

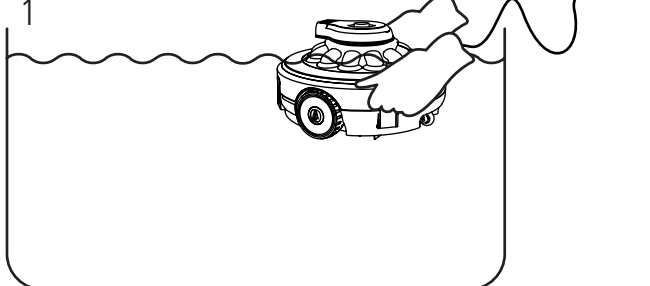
Przełącznik
Gniazdo ładowania



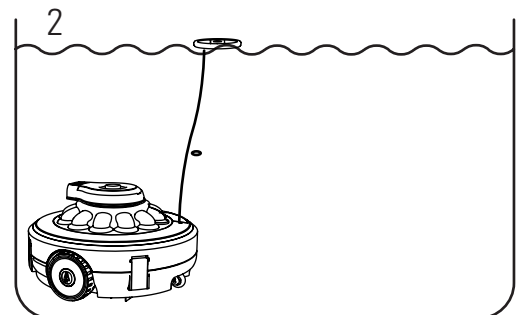
Uwaga:

Gdy zacznie się ładowanie odkurzacza, włączy się czerwona kontrolka na ładowarce. Gdy akumulator naładuje się, kontrolka ta zmieni kolor na zielony.

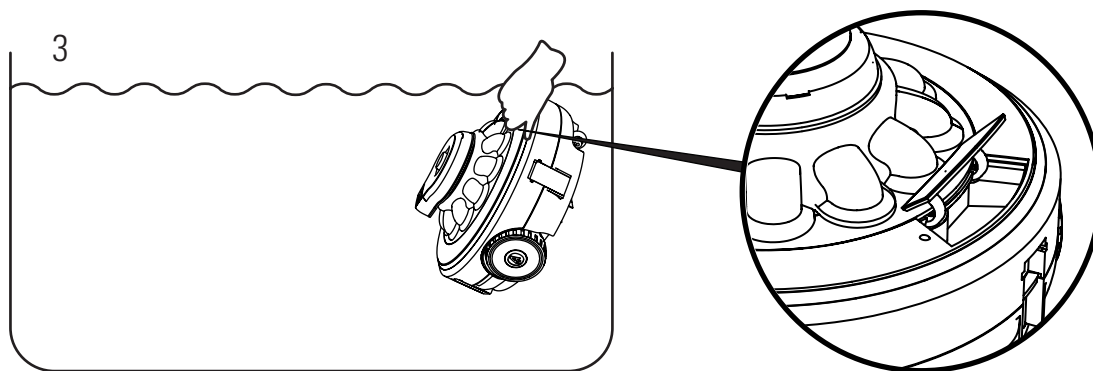
Włączanie zasilania



Włącz zasilanie przełącznikiem, wybierz linkę z pływaka, po czym włóż odkurzacz poziomo do wody – pozwól mu swobodnie opaść na dno. (Odkurzacz nie włącza się poza wodą – ma funkcję automatycznego wyłączenia się po wyjęciu z wody.)



Wybierz linkę z wody – pozostaw jej mniej więcej tyle, ile wynosi głębokość wody, a nadmiar skróć obcinając lub obwiązując na pływaku.



Wybierz linkę z wody – pozostaw jej mniej więcej tyle, ile wynosi głębokość wody, a nadmiar skróć obcinając lub obwiążując na pływaku.

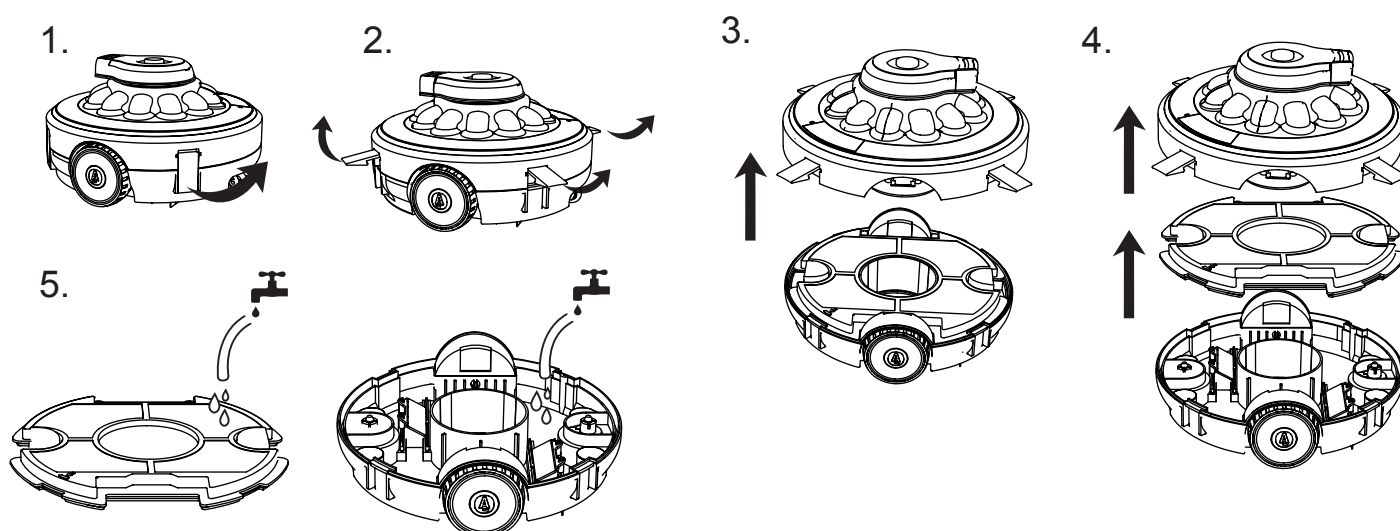
Gdy wyczerpie się akumulator odkurzacza, urządzenie zatrzyma się automatycznie przy krawędzi basenu (jeśli natomiast w wodzie są przeszkody, odkurzacza może utknąć przy nich z rozładowanym akumulatorem).

Uwaga:

1. Zaleca się wyłączyć filtr basenu – prąd wody od pompy filtra basenowego może zakłócać ruch odkurzacza na dnie.
2. Przeszkody w basenie, np. drabinka, mogą wpłynąć na kierunek ruchu odkurzacza i tym samym dokładność sprzątania.
3. Jeśli basen ma solankę, to sól musi całkowicie rozpuścić się w wodzie zanim wolno będzie włożyć do niej odkurzacza.

Odkurzacza będzie sprzątał prawidłowo, pod warunkiem że dno basenu jest zupełnie płaskie, a ewentualna okładzina gumowa nie jest pomarszczona.

USUWANIE ODPADKÓW I CZYSZCZENIE URZĄDZENIA

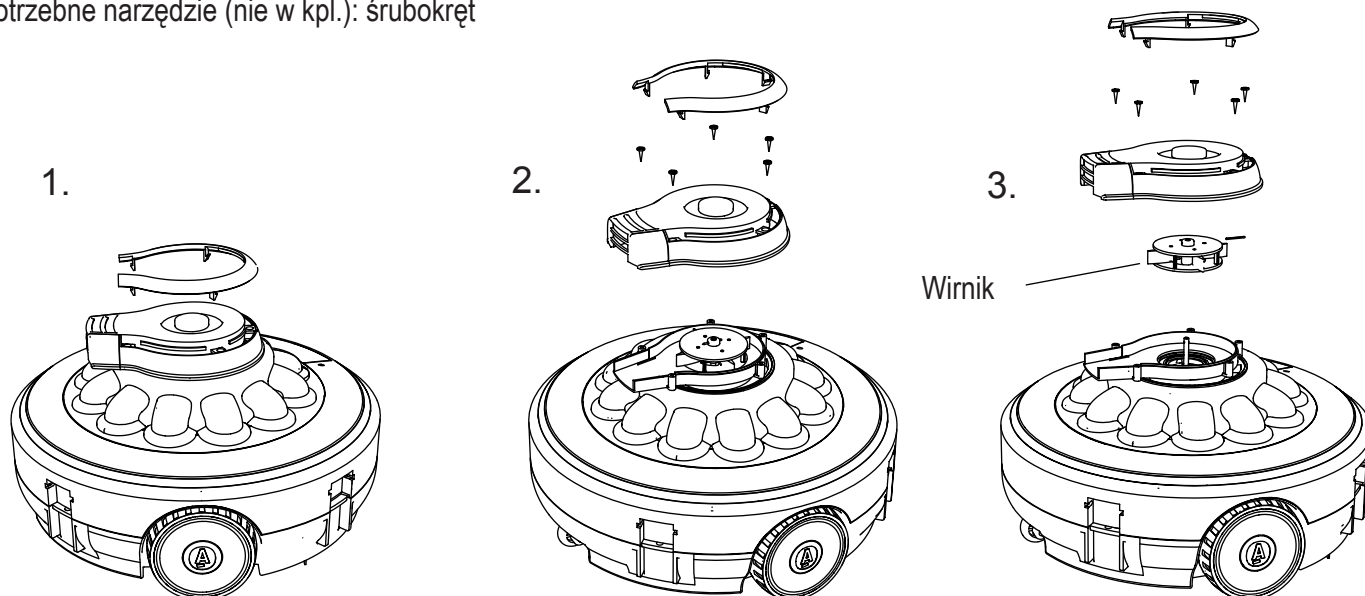


KONSERWACJA I PRZECHOWYWANIE

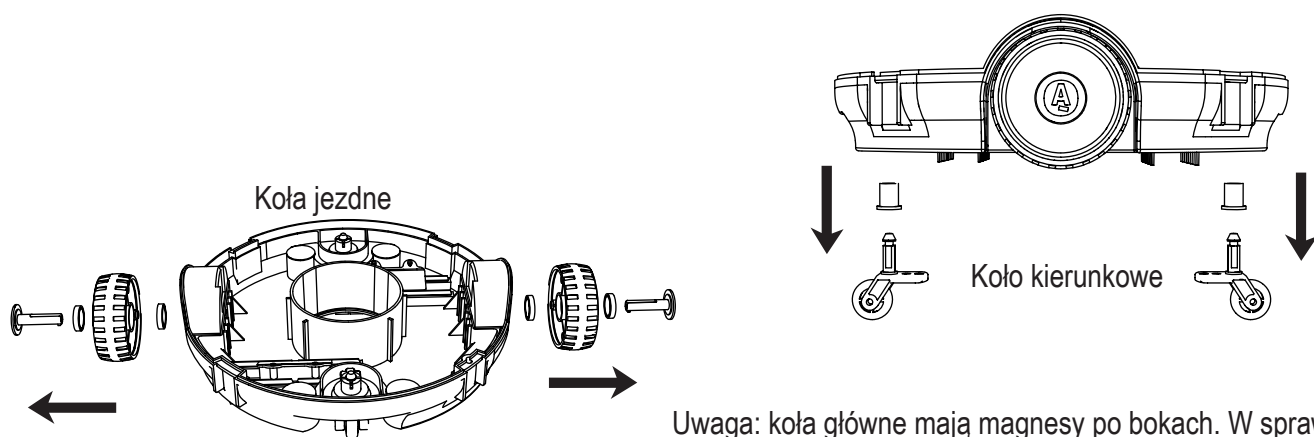
1. Akumulator, jeśli nie jest ładowany, rozładowuje się podczas przechowywania. Naładuj akumulator odkurzacza przed jego przechowywaniem.
 2. Jeśli nie używasz odkurzacza, musisz ładować jego akumulator co najmniej raz na trzy miesiące.
 - Odłącz ładowarkę od gniazdka elektrycznego, a następnie kabel ładowarki od odkurzacza.
 - Wymontuj przystawkę z odkurzacza. Wypłucz odkurzacza i jego akcesoria czystą wodą. Nie myj go detergentami.
 - Opróżnij odkurzacza z wody przed jego przechowywaniem.
 - Czyść odkurzacza i akcesoria wilgotną ścierką, po czym wytrzyj wszystko dokładnie suchą ścierką.
 - Przechowuj urządzenie i akcesoria w miejscu przewiewnym, z dala od światła słonecznego, źródeł ciepła i ognia, chemii do basenu, a także z dala od dzieci.
 - Temperatura w miejscu przechowywania powinna mieścić się w granicach 10 °C – 25 °C (50 °F– 77 °F).
- Uwaga: przechowywanie w wyższej temperaturze może skrócić trwałość użytkową akumulatora.

Konserwacja i wymiana wirnika

Potrzebne narzędzie (nie w kpl.): śrubokręt



Konserwacja i wymiana wirnika



Uwaga: koła główne mają magnesy po bokach. W sprawie ich wymiany i konserwacji należy skontaktować się ze sprzedawcą.

Montaż i wymiana baterii

Uwaga!

Nie traktuj urządzeń elektrycznych jako niesklasyfikowane odpady komunalne, korzystaj z miejsc do selektywnej zbiórki odpadów. Aby uzyskać informacje o dostępnych systemach zbiórki, należy skontaktować się z władzami lokalnymi.

- Nie wyjmuj baterii litowej bez upoważnienia.
- Podczas wyjmowania baterii litowej z odkurzacza należy zdjąć pierścionki, bransoletki, naszyjnik i zegarek.
- Prąd zwarciový generowany przez baterię jest wystarczający do zaadsorbowania pierścionka (lub podobnych przedmiotów), powodując poważne oparzenia
- Przed wyjęciem akumulatora należy założyć osłonę oczu, rękawice i odzież ochronną.
- Uważaj, aby nie dotknąć przewodu lub jakichkolwiek metalowych części, bo spowoduje to iskrę lub zwarcie
- Nie palić, nie iskrzyć ani nie palić płomienia w pobliżu odkurzacza, bo spowoduje to zapłon baterii i powstanie gazu
- Unikać wystawiania baterii na działanie ognia lub wysokiej temperatury, w przeciwnym razie może to spowodować wybuch.

Uwaga!

W przypadku wycieku baterii należy unikać kontaktu z uszkodzoną baterią i umieścić ją w plastikowej torbie. W przypadku kontaktu skóry lub ubrania z kwasem należy natychmiast umyć dużą ilością wody z mydłem. W przypadku kontaktu oczu z kwasem, płukać oczy wodą przez co najmniej 15 minut i zgłosić się o pomoc do lekarza.

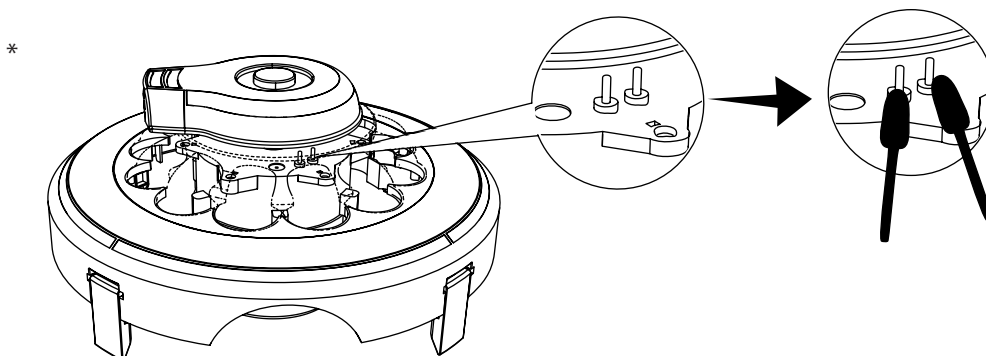
ROZWIĄZYWANIE PROBLEMÓW

W razie problemów technicznych z odkurzaczem możesz spróbować rozwiązać je na niżej podane sposoby. Uwaga: wyłącz zasilanie urządzenia zanim zaczniesz je naprawiać.

PROBLEM	MOŻLIWE PRZYCZYNY	ROZWIĄZANIE
Odkurzacz nie usuwa zanieczyszczeń.	Akumulator na wyczerpaniu.	Naładuj odkurzacz.
	Wirnik nie obraca się.	Wyłącz odkurzacz i sprawdź wzrokowo, czy wirnik obraca się swobodnie. Jeśli nie wiesz co zrobić w razie tej usterki, skontaktuj się ze sprzedawcą. Ostrzeżenie! Upewnij się, że odkurzacz jest wyłączony zanim zajmiesz się jego obsługą techniczną
	Wirnik jest uszkodzony.	Skontaktuj się ze sprzedawcą w sprawie wymiany.
	Filtr workowy jest pełen.	Wyczyść filtr workowy i pokrywę jego komory.
Odkurzacz zatrzymuje się z dala od ściany basenu (głowica strumieniowa nadal się obraca).	Odkurzacz napotkał przeszkodę lub wciągnął jakiś przedmiot.	Sprawdź, czy nic nie wpadło do odkurzacza. Wyciągnij obce przedmioty z odkurzacza.
	Odkurzacz „przyssał się” do głównego odpływu na dnie basenu.	Wyłącz pompę filtra basenowego (według jego instrukcji).
	Dno nie jest płaskie.	Zaczekaj chwilę, aż odkurzacz ruszy – alternatywnie: wyrównaj dno basenu – alternatywnie: przytnij szczotkę od spodu odkurzacza. Skontaktuj się ze sprzedawcą w sprawie części zamiennych.
Odkurzacz nie sprząta całego dna / porusza się tylko wzdłuż ścian.	Filtr workowy jest pełen.	Wyczyść filtr workowy i pokrywę jego komory.
	Akumulator wyczerpał się za wcześnie.	Wyczyść komorę filtra odkurzacza, po czym podłącz go do ładowarki na 4-5 godzin.
	Prąd wody od pompy filtra basenowego zmienia kierunek ruchu odkurzacza.	Wyłącz pompę filtra basenowego (według jego instrukcji).
	Koło odkurzacza nie kręci się.	Wyczyść starannie koła i sprawdź ich stan.
Odkurzacz porusza się powoli.	Filtr workowy jest pełen.	Wyczyść filtr workowy i pokrywę jego komory.
Głowica strumieniowa nie obraca się w ogóle lub bardzo powoli.	Dolna część przegubu obrotowego zaciera się.	Filtr workowy jest pełen. Sprawdź, czy pod głowicą strumieniową nie ma brudu i wyczyść ją. Głowicę można w tym celu obracać dłonią pod strumieniem bieżącej wody, aż wyjdzie cały brud.
	Filtr workowy jest pełen.	Wyczyść filtr workowy i pokrywę jego komory.
Odkurzacz gubi zbierany brud.	Uszkodzony zawór dyszy ssącej (od spodu odkurzacza).	Przegroda u ssawy działa jak kłapa, uniemożliwiająca wysypywanie się zbieranego brudu. Skontaktuj się ze sprzedawcą w sprawie części zamiennych i sposobu naprawy.
Brud wydostaje się spod pokrywy komory filtra.	Pokrywa komory filtra jest uszkodzona.	Wymień pokrywę komory filtra na nową. Skontaktuj się ze sprzedawcą w sprawie części zamiennych.

PROBLEM	MOŻLIWE PRZYCZYNY	ROZWIĄZANIE
Nie można naładować odkurzacza.	Akumulator jest uszkodzony.	Skontaktuj się ze sprzedawcą w sprawie wymiany akumulatora. Ostrzeżenie! Nie włączaj odkurzacza ani nie wymieniaj akumulatora samodzielnie. Grozi to wypadkiem z ciężką szkodą na zdrowiu, a nawet śmiercią, a także unieważnieniem gwarancji.
	Kabel ładowarki nie jest prawidłowo podłączony do ładowarki i odkurzacza.	Prawidłowo podłącz kabel do ładowarki oraz gniazda na odkurzaczu. Patrz instrukcja użytkownika.
	Ładowarka jest uszkodzona.	Skontaktuj się ze sprzedawcą w sprawie wymiany. Ostrzeżenie! Używanie nieodpowiedniej ładowarki skutkuje uszkodzeniem odkurzacza / akumulatora oraz unieważnieniem gwarancji.
Odkurzacze nie wyłącza się po wyjęciu z wody.	W odkurzaczu jest woda i styk wyłączający napęd jest nadal zwarty, przez co odkurzacze może pracować poza wodą.	Pozostaw odkurzacze w suchym miejscu i zaczekaj chwilę, aż wyschnie.
	Styk wyłączający zapchał się czymś – np. mokrymi włosami – i pozostaje zwarty.	Usuń brud odpowiednim narzędziem.
	Karta elektroniki jest uszkodzona.	Skontaktuj się ze sprzedawcą w sprawie wymiany.

PROBLEM	MOŻLIWE PRZYCZYNY	ROZWIĄZANIE
Kontrolka ładowarki świeci się cały czas na czerwono – nie zmienia koloru na zielony przez ponad 8 godzin.	Akumulator jest uszkodzony.	Skontaktuj się ze sprzedawcą w sprawie wymiany akumulatora. Ostrzeżenie! Nie włączaj odkurzacza ani nie wymieniaj akumulatora samodzielnie. Grozi to wypadkiem z ciężką szkodą na zdrowiu, a nawet śmiercią, a także unieważnieniem gwarancji.
Kontrolka ładowarki zmienia kolor na zielony po bardzo krótkim czasie – jednakże odkurzacze tak naładowany pracuje bardzo krótko (w ciągu pół godziny, i powtarza się to wielokrotnie).		
Kontrolka ładowarki włącza się od razu na zielono po podłączeniu odkurzacza do ładowarki. (Prawidłowo podłącz kabel do ładowarki oraz gniazda na odkurzaczu.)	Ładowarka jest uszkodzona.	Skontaktuj się ze sprzedawcą w sprawie wymiany. Ostrzeżenie! Używanie nieodpowiedniej ładowarki skutkuje uszkodzeniem odkurzacza / akumulatora oraz unieważnieniem gwarancji.
Jeśli lampka ładowarki nie świeci więcej światła.		
Przełącznik nie działa lub jest wyłączony. *	Wokół czujnika znajdują się śmieci lub czujnik jest zardzewiały.	Oczyścić czujnik za pomocą papieru, szmatki lub szczotki, tak jak na obrazkach; lub zobaczyć film online.



1- GUARANTEE CERTIFICATE

GENERAL TERMS

- In accordance with these provisions, the seller guarantees that the product corresponding to this guarantee ("the Product") is in perfect condition at the time of delivery.
- The Guarantee Term for the Product is two (2) years from the time it is delivered to the purchaser.
- In the event of any defect in the Product that is notified by the purchaser to the seller during the Guarantee Term, the seller will be obliged to repair or replace the Product, at his own cost and wherever he deems suitable, unless this is impossible or unreasonable.
- If it is not possible to repair or replace the Product, the purchaser may ask for a proportional reduction in the price or, if the defect is sufficiently significant, the termination of the sales contract.
- The replaced or repaired parts under this guarantee, will not extend the guarantee period of the original Product, but will have a separate guarantee.
- In order for this guarantee to come into effect, the purchaser must provide proof of the date of purchase and delivery of the Product.
- If, after six months from the delivery of the Product to the purchaser, he notifies a defect in the Product, the purchaser must provide proof of the origin and existence of the alleged defect.
- This Guarantee Certificate is issued without prejudice to the rights corresponding to consumers under national regulations.

INDIVIDUAL TERMS

- This guarantee covers the products referred to in this manual.
- This Guarantee Certificate will only be applicable in European Union countries.
- For this guarantee to be effective, the purchaser must strictly follow the Manufacturer's instructions included in the documentation provided with the Product, in cases where it is applicable according to the range and model of the Product.
- When a time schedule is specified for the replacement, maintenance or cleaning of certain parts or components of the Product, the guarantee will only be valid if this time schedule has been followed.

LIMITATIONS

- This guarantee will only be applicable to sales made to consumers, understanding by "consumer", a person who purchases the Product for purposes not related to his professional activities.
- The normal wear resulting from using the product is not guaranteed. With respect to expendable or consumable parts, components and/or materials, such as batteries, light bulbs, etc. the stipulations in the documentation provided with the Product, will apply.
- The guarantee does not cover those cases when the Product; (I) has been handled incorrectly; (II) has been repaired, serviced or handled by non- authorised people or (III) has been repaired or serviced not using original parts. In cases where the defect of the Product is a result of incorrect installation or start-up, this guarantee will only apply when said installation or start-up is included in the sales contract of the Product and has been conducted by the seller or under his responsibility.

2- CROSSED-OUT WASTE CONTAINER

- In order to reduce the amount of waste of electric and electronic apparatus, to reduce the danger of components, to encourage the reuse of apparatus, to assess waste and to set up a suitable waste treatment system, with the aim of improving the efficiency of environmental protection, a set of rules has been established applicable to the manufacture of the product and other rules regarding the correct environmental treatment when these products become waste.
- It is also intended to improve the environmental practices of all agents involved in electrical and electronic goods, including manufacturers, distributors, users and particularly those directly involved in the treatment of waste derived from these apparatus.
- From 13th August 2005, there are two ways of disposing of this apparatus:
- If you purchase a new equivalent apparatus or which has the same functions as the one you wish to dispose of, you can hand it over, free of charge, to the distributor when making your purchase, or
- You can take it to local collection points.
- We shall cover waste treatment costs.
- The apparatus are labelled with a symbol of a "crossed-out waste container". This symbol means that the apparatus is subject to selected waste collection, different from general waste collection.
- Our products are designed and manufactured with top-quality, environmental-friendly materials and components, which can be reused and recycled. In spite of this, several parts of this product are not biodegradable and therefore it should not be left in the environment. For the correct recycling of this product, please completely detach the electrical motor from the rest of the filtration equipment.



1- CERTIFICADO DE GARANTÍA

ASPECTOS GENERALES

- De acuerdo con estas disposiciones, el vendedor garantiza que el producto correspondiente a esta garantía ("el Producto") no presenta ninguna falta de conformidad en el momento de su entrega.
- El Período de Garantía para el Producto es de dos (2) años y se calculará desde el momento de su entrega al comprador.
- Si se produjera una falta de conformidad del Producto y el comprador lo notificase al vendedor durante el Período de Garantía, el vendedor deberá reparar o sustituir el Producto a su propio coste en el lugar donde considere oportuno, salvo que ello sea imposible o desproporcionado.
- Cuando no se pueda reparar o sustituir el Producto, el comprador podrá solicitar una reducción proporcional del precio o, si la falta de conformidad es suficientemente importante, la resolución del contrato de venta.
- Las partes sustituidas o reparadas en virtud de esta garantía no ampliarán el plazo de la garantía del Producto original, si bien dispondrán de su propia garantía.
- Para la efectividad de la presente garantía, el comprador deberá acreditar la fecha de adquisición y entrega del Producto.
- Cuando hayan transcurrido más de seis meses desde la entrega del Producto al comprador y éste alegue falta de conformidad de aquél, el comprador deberá acreditar el origen y la existencia del defecto alegado.
- El presente Certificado de Garantía no limita o prejuzga los derechos que correspondan a los consumidores en virtud de normas nacionales de carácter imperativo.

CONDICIONES PARTICULARES

- La presente garantía cubre los productos a que hace referencia este manual.
- El presente Certificado de Garantía será de aplicación únicamente en los países de la Unión Europea.
- Para la eficacia de esta garantía, el comprador deberá seguir estrictamente las indicaciones del Fabricante incluidas en la documentación que acompaña al Producto, cuando ésta resulte aplicable según la gama y modelo del Producto.
- Cuando se especifique un calendario para la sustitución, mantenimiento o limpieza de ciertas piezas o componentes del Producto, la garantía sólo será válida cuando se haya seguido dicho calendario correctamente.

LIMITACIONES

- La presente garantía únicamente será de aplicación en aquellas ventas realizadas a consumidores, entendiéndose por "consumidor", aquella persona que adquiere el Producto con fines que no entran en el ámbito de su actividad profesional.
- No se otorga ninguna garantía respecto del normal desgaste por uso del producto. En relación con las piezas, componentes y/o materiales fungibles o consumibles como pilas, bombillas etc., se estará a lo dispuesto en la documentación que acompañe al Producto, en su caso.
- La garantía no cubre aquellos casos en que el Producto: (I) haya sido objeto de un trato incorrecto; (II) haya sido reparado, mantenido o manipulado por persona no autorizada o (III) haya sido reparado o mantenido con piezas no originales.
- Cuando la falta de conformidad del Producto sea consecuencia de una incorrecta instalación o puesta en marcha, la presente garantía sólo responderá cuando dicha instalación o puesta en marcha esté incluida en el contrato de compra-venta del Producto y haya sido realizada por el vendedor o bajo su responsabilidad.

2- CONTENEDOR DE BASURA CON RUEDAS TACHADO

- Con objeto de reducir la cantidad de residuos de aparatos eléctricos y electrónicos, la peligrosidad de los componentes, fomentar la reutilización de los aparatos, la valorización de sus residuos y determinar una gestión adecuada tratando de mejorar la eficacia de la protección ambiental, se establecen una serie de normas aplicables a la fabricación del producto y otras relativas a la correcta gestión ambiental cuando se conviertan en residuo.
- Así mismo, se pretende mejorar el comportamiento ambiental de todos los agentes que intervienen en el ciclo de vida de los aparatos eléctricos y electrónicos, como son los productores, los distribuidores, los usuarios y en particular, el de aquellos agentes directamente implicados en la gestión de los residuos derivados de estos aparatos.
- A partir del 13 Agosto de 2005 cuando usted quiera desechar este aparato, tiene dos posibles sistemas de devolución:
- Si adquiere uno nuevo que sea de tipo equivalente o realice las mismas funciones que el que desecha, podrá entregarlo, sin coste, en el acto de la compra al distribuidor.
- Podrá llevarlo al sitio que destinen las diferentes entidades locales.
- Nosotros nos haremos cargo de los costes de gestión.
- Los aparatos van etiquetados con el símbolo de un "contenedor de basura con ruedas tachado", este símbolo es indicativo de la necesaria recogida selectiva y diferenciada del resto de las basuras urbanas.
- Nuestros productos están diseñados y fabricados con materiales y componentes de alta calidad, respetuosos con el medio ambiente, que pueden ser reutilizables y reciclados. Aun así, las diferentes partes que componen este producto no son biodegradables, por lo que no se deben abandonar en el medio ambiente. Se debe de reciclar por separado, para ello separar el motor eléctrico del resto del equipo de filtración.



1- CERTIFICAT DE GARANTIE

ASPECTS GÉNÉRAUX

- Conformément à ces dispositions, le vendeur garantit que le produit correspondant à cette garantie ("le Produit") ne présente aucun défaut de conformité à la date de sa livraison.
- La Période de Garantie pour le Produit est de deux (2) ans et elle sera calculée à partir du moment de sa remise à l'acheteur.
- S'il se produisait un défaut de conformité du Produit et si l'acheteur le notifiait au vendeur pendant la Période de Garantie, le vendeur devrait réparer ou remplacer le Produit à ses propres frais à l'endroit qu'il jugerait opportun, à moins que cela soit impossible ou disproportionné.
- Lorsque le Produit ne pourra être ni réparé ni remplacé, l'acheteur pourra demander une réduction proportionnelle du prix ou, si le défaut de conformité est suffisamment important, la résolution du contrat de vente.
- Les parties remplacées ou réparées en vertu de cette garantie n'élargiront pas le délai de la garantie du Produit original, celles-ci étant cependant couvertes par leur propre garantie.
- Pour l'effectivité de la présente garantie, l'acheteur devra justifier la date d'acquisition et de remise du Produit.
- Quand plus de six mois se seront écoulés depuis la remise du Produit à l'acheteur et que ce dernier alléguera un défaut de conformité de ce Produit, l'acheteur devra justifier l'origine et l'existence du défaut allégué.
- Le présent Certificat de Garantie ne limite pas, ni préjuge les droits correspondant aux consommateurs en vertu des normes nationales de nature impérative.

CONDITIONS PARTICULIÈRES

- La présente garantie couvre les produits auxquels ce manuel fait référence.
- Le présent Certificat de Garantie ne sera applicable que dans les pays de l'Union européenne.
- En vue de l'efficacité de cette garantie, l'acheteur devra suivre strictement les indications du Fabricant comprises dans la documentation qui est jointe au Produit, quand celle-ci sera applicable selon la gamme et le modèle du Produit.
- Quand un calendrier sera spécifié pour le remplacement, la maintenance ou le nettoyage de certaines pièces ou de certains composants du Produit, la garantie sera valable uniquement lorsque ledit calendrier aura été suivi correctement.

LIMITATIONS

- La présente garantie ne sera applicable que dans les ventes réalisées aux consommateurs, considérant comme "consommateur", toute personne qui achète le Produit à des fins qui n'entrent pas dans le cadre de son activité professionnelle.
- Aucune garantie n'est concédée quant à l'usure normale due à l'utilisation du produit. En ce qui concerne les pièces, composants et/ou matériels fongibles ou consommables comme les piles, les ampoules, etc., il faudra respecter, le cas échéant, ce qui est stipulé dans la documentation qui est jointe au Produit.
- La garantie ne couvre pas les cas où le Produit : (I) a fait l'objet d'un traitement incorrect ; (II) a été réparé, entretenu ou manipulé par une personne non autorisée ou (III) a été réparé ou entretenu avec des pièces n'étant pas d'origine. Quand le défaut de conformité du Produit sera la conséquence d'une installation ou d'une mise en marche incorrectes, la présente garantie répondra uniquement lorsque ladite installation ou ladite mise en marche sera incluse dans le contrat d'achat et de vente du Produit et aura été réalisée par le vendeur ou sous sa responsabilité.

2- POUBELLE À ORDURES SUR ROULETTES BARRÉE

- Afin de réduire la quantité de déchets d'appareils électriques et électroniques, afin d'éviter le danger de leurs composants, d'encourager la réutilisation des appareils ainsi que la valorisation de leurs déchets, et de déterminer une gestion appropriée de ceux-ci, en essayant d'améliorer l'efficacité de la protection environnementale, ont été établies de nombreuses normes applicables à la fabrication du produit, et d'autres relatives à la gestion environnementale correcte lorsque ces appareils sont hors service.
- De même, on prétend améliorer le comportement environnemental de toutes les personnes qui interviennent dans le cycle de vie des appareils électriques et électroniques, tels que les producteurs, les distributeurs, les utilisateurs et, en particulier, les intervenants directement impliqués dans la gestion des déchets dérivés de ces appareils.
- À partir du 13 août 2005, quand vous souhaitez vous débarrasser de votre appareil usagé, vous avez deux façons de vous en débarrasser :
- Si vous achetez un nouvel appareil qui est plus ou moins du même genre ou qui réalise les mêmes fonctions que votre appareil usagé, vous pourrez le remettre au distributeur, sans aucun frais à votre charge, au moment de l'achat.
- Ou bien vous pourrez le déposer à l'endroit destiné à cette fin par les différents organismes locaux.
- Les frais de gestion seront à notre charge.
- Les appareils portent une étiquette sur laquelle figure le symbole d'une "poubelle à ordures sur roulettes barrée". Ce symbole indique la nécessité d'une collecte sélective et triée du reste des déchets urbains.
- Nos produits sont conçus et fabriqués avec des matériaux et des composants de haute qualité, respectueux de l'environnement, qui sont réutilisables et recyclables. Malgré tout, les différentes parties qui composent cet article ne sont pas biodégradables ; c'est pourquoi, il ne faut pas les mettre au rebut en les jetant dans l'environnement.



1- GARANTIEZERTIFIKAT

ALLGEMEINE GESICHTSPUNKTE

- In Übereinstimmung mit diesen Verfügungen garantiert der Verkäufer, dass das Produkt dieser Garantie ("das Produkt") entspricht und dass es im Moment der Übergabe in allen Punkten mit den Anforderungen übereinstimmt.
- Der Garantiezeitraum für das Produkt beträgt zwei (2) Jahre und wird ab dem Augenblick der Lieferung an den Käufer gerechnet.
- Falls ein Mangel am Produkt auftritt und der Käufer den Verkäufer innerhalb des Garantiezeitraums darüber unterrichtet, muss der Verkäufer das Produkt auf eigene Kosten dort reparieren oder ersetzen, wo es für ihn am günstigsten ist, es sei denn, dies ist unmöglich oder unverhältnismäßig.
- Wenn das Produkt weder repariert noch ersetzt werden kann, kann der Käufer einen angemessenen Preisnachlass beantragen, oder, falls es sich um einen größeren Mangel handelt, die Auflösung des Kaufvertrages.
- Die Teile, die aufgrund dieser Garantie ersetzt oder repariert werden, verlängern den Garantiezeitraum für das Originalprodukt nicht. Jedoch existiert für diese Teile eine eigene Garantie.
- Um die vorliegende Garantie wirksam werden zu lassen, muss der Käufer das Kaufdatum und das Lieferdatum des Produktes belegen.
- Nach Ablauf von sechs Monaten ab Lieferung des Produktes an den Käufer muss, im Falle eines Mangels, der Käufer den Ursprung und das Vorhandensein des angegebenen Mangels belegen.
- Das vorliegende Garantiezertifikat schränkt die Rechte, die der Verbraucher aufgrund der herrschenden, nationalen Gesetzgebung hat, nicht ein.

SONDERBEDINGUNGEN

- Die vorliegende Garantie gilt für die Produkte, auf die sich dieses Handbuch bezieht.
- Das vorliegende Garantiezertifikat ist nur in den Ländern der Europäischen Gemeinschaft anwendbar.
- Diese Garantie gilt nur, wenn der Käufer alle Anweisungen des Herstellers, die in der produktbegleitenden Dokumentation enthalten und für die jeweilige Produktlinie und Modell anwendbar ist, streng einhält.
- Wenn ein Zeitplan für den Austausch von Teilen, die Instandhaltung und Reinigung bestimmter Teile oder Produktkomponenten aufgestellt wurde, gilt die Garantie nur dann, wenn dieser Zeitplan korrekt eingehalten wurde.

EINSCHRÄNKUNGEN

- Die vorliegende Garantie ist nur auf Verkäufe an Verbraucher anwendbar. "Verbraucher" sind alle Personen, die dieses Produkt zu privaten Zwecken erwerben.
- Es wird keine Garantie für die normale Abnutzung durch den Gebrauch des Produktes gewährt. Informationen über Teile, Komponenten und/oder verschleißbare Materialien oder Verbrauchsgüter oder Batterien, Glühbirnen etc. finden Sie in der Dokumentation, die das jeweilige Produkt begleitet.
- In folgenden Fällen gilt die Garantie nicht: (I) Das Produkt wurde nicht korrekt benutzt; (II) das Produkt wurde von nicht autorisierten Personen repariert, instandgehalten oder bedient oder (III) das Produkt wurde mit nicht originalen Ersatzteilen repariert oder instandgehalten. Wenn der Mangel auf eine falsche Installation oder Inbetriebnahme zurückzuführen ist, gilt die vorliegende Garantie nur, wenn diese Installation oder Inbetriebnahme in den Kaufvertrag des Produktes eingeschlossen war, und von dem Verkäufer oder auf dessen Verantwortung durchgeführt wurde.

2- DURCHGESTRICHENEN ABFALLCONTAINERS MIT RÄDERN

- Um die Menge an Abfällen, die aus elektrischen und elektronischen Geräten bestehen, zu reduzieren, die Gefahr einzudämmen, die Wiederverwertung der Apparate und die Bewertung dieser Rückstände zu fördern und ein geeignetes Management zu finden, um die Wirksamkeit des Umweltschutzes zu erhöhen, werden eine Reihe von Normen festgelegt, die auf die Herstellung des Produktes angewandt werden, und Normen, die sich auf die korrekte und umweltbewusste Entsorgung beziehen, wenn diese Produkte zu Abfall werden.
- Ebenso soll das Umweltbewusstsein aller Beteiligten verbessert werden, die mit den elektrischen und elektronischen Apparaten während deren gesamtem Nutzungszyklus in Kontakt kommen, das sind zum Beispiel die Hersteller, die Vertreiber, die Benutzer und insbesondere diejenigen, die direkt mit der Entsorgung der Rückstände zu tun haben, die durch diese Apparate entstehen.
- Ab dem 13. August 2005 gibt es zwei Möglichkeiten für die Rückgabe, wenn Sie diesen Apparat entsorgen möchten:
- Falls Sie einen neuen, ähnlichen Apparat oder einen, der den gleichen Funktionen dient, erwerben, können Sie das alte Gerät kostenlos beim Kauf des neuen Gerätes an Ihren Verkäufer zurückgeben.
- Oder Sie können den Apparat zu einer der öffentlichen Annahmestellen für diese Art von Sondermüll bringen.
- Wir übernehmen die Kosten der Entsorgung.
- Die Apparate sind mit einem Etikett mit dem Symbol eines „durchgestrichenen Abfallcontainers mit Rädern“ versehen. Dieses Symbol gibt an, dass es sich um Sondermüll handelt, und nicht um gewöhnlichen städtischen Müll.
- Unsere Produkte bestehen aus Materialien und Komponenten hoher Qualität, die umweltfreundlich sind und wieder benutzt oder recycelt werden können. Dennoch sind die verschiedenen Teile, aus denen dieses Produkt besteht, nicht biologisch abbaubar, deshalb können sie nicht einfach weggeworfen werden. Um dieses Produkt korrekt zu recycling, bitte den elektrischen Motor von der Filteranlage zerlegen.



1- CERTIFICATO DI GARANZIA

ASPETTI GENERALI

- Ai sensi delle seguenti disposizioni, il venditore garantisce che il prodotto corrispondente a questa garanzia ("il Prodotto") non presenta alcun difetto di conformità al momento della sua consegna.
- Il Periodo di Garanzia per il Prodotto è di due (2) anni a decorrere dal momento della consegna dello stesso all'acquirente.
- Nel caso in cui si venisse a produrre un difetto di conformità del Prodotto e l'acquirente lo notificasse al venditore entro il Periodo di Garanzia, il venditore dovrà riparare o sostituire il Prodotto a sue spese nel luogo che consideri opportuno, salvo che ciò risulti impossibile o sproporzionato.
- Qualora non fosse possibile riparare o sostituire il Prodotto, l'acquirente potrà richiedere una riduzione proporzionale del prezzo o, nel caso in cui il difetto di conformità fosse sufficientemente importante, lo scioglimento del contratto di vendita.
- Le parti sostituite o riparate in virtù della presente garanzia non rappresenteranno un prolungamento della scadenza della garanzia del Prodotto originale, quantunque disporranno di una loro propria garanzia.
- Affinché la presente possa essere valida, l'acquirente dovrà attestare la data di acquisto e consegna di del Prodotto.
- Una volta trascorsi più di sei mesi dalla consegna del Prodotto all'acquirente, qualora quest'ultimo dichiari un difetto di conformità del medesimo, l'acquirente dovrà attestare l'origine e l'esistenza del difetto dichiarato.
- Il presente Certificato di Garanzia non limita o preclude i diritti che corrispondano ai consumatori in virtù delle norme nazionali di carattere imperativo.

CONDIZIONI PARTICOLARI

- La presente garanzia copre i prodotti ai quali si riferisce questo manuale.
- Il presente Certificato di Garanzia avrà vigore unicamente nell'ambito dei paesi dell'Unione Europea.
- Per la validità di questa garanzia, l'acquirente dovrà rispettare in maniera rigorosa le indicazioni del Fabbricante indicate nella documentazione che viene allegata al Prodotto, quando questa risulti applicabile secondo la gamma e il modello del Prodotto.
- Nel caso in cui venga specificato un calendario per la sostituzione, la manutenzione o la pulizia di determinati pezzi o componenti del Prodotto, la garanzia sarà valida solo quando qualora detto calendario sia stato rispettato in maniera corretta.

LIMITAZIONI

- La presente garanzia sarà valida unicamente per le vendite realizzate a consumatori, laddove per "consumatori" s'intende quella persona che acquista il Prodotto con scopi che non rientrano nell'ambito della sua attività professionale.
- No viene concessa alcuna garanzia nei riguardi del normale consumo per uso del prodotto. In merito ai pezzi, ai componenti e/o ai materiali fusibili o consumabili come pile, lampadine, ecc., ove sussista si applicherà quanto disposto nella documentazione che è allegata al Prodotto.
- La garanzia non copre i casi in cui il Prodotto: (I) sia stato oggetto di un uso non corretto; (II) sia stato riparato, manipolato o la manutenzione sia stata effettuata da una persona non autorizzata o (III) sia stato riparato o la manutenzione sia stata effettuata con pezzi non originali. Qualora il difetto di conformità del Prodotto sia conseguenza di una installazione o messa in marcia non corretta, la presente garanzia risponderà solo nel caso in cui la suddetta installazione o messa in marcia sia compresa nel contratto di compravendita del Prodotto e sia stata realizzata dal venditore o sotto la sua responsabilità.

2- CONTENITORE DELLA SPAZZATURA, SBARRATO



- Allo scopo di ridurre la quantità di residui di apparati elettrici ed elettronici, la pericolosità dei componenti, promuovere il riutilizzo degli apparecchi, la valutazione dei loro residui e determinare una gestione adeguata cercando di migliorare l'efficacia della protezione ambientale, si stabiliscono una serie di norme applicabili alla fabbricazione del prodotto ed altre relative alla corretta gestione ambientale quando si trasformino in residui.
- Allo stesso modo, si cerca di migliorare il comportamento ambientale di tutti gli agenti che intervengono nel ciclo vitale degli apparecchi elettrici ed elettronici, come i produttori, i distributori, i consumatori e, in particolare, il comportamento di quegli agenti direttamente implicati nella gestione dei residui derivati da questi apparecchi.
- A partire dal 13 agosto del 2005, quando vorrà disfarsi di questo apparecchio, avrà due possibili sistemi di rottamazione a sua disposizione:
- Se acquista un apparecchio nuovo che sia di tipo equivalente o che svolga le stesse funzioni di quello da rottamare, potrà consegnarlo direttamente al distributore, senza alcun costo, al momento dell'acquisto;
- Potrà portarlo nel luogo appositamente destinato dai vari enti locali.
- Noi ci faremo carico dei costi di gestione.
- Gli apparecchi sono etichettati con il simbolo di un "contenitore della spazzatura, sbarrato", questo simbolo indica la necessaria raccolta selettiva e differenziata dal resto della spazzatura urbana.
- I nostri prodotti sono progettati e fabbricati con materiali e componenti di elevata qualità, che rispettano l'ambiente, che possono essere riutilizzati e riciclati. Pur in questo caso, le varie parti che compongono questo prodotto non sono biodegradabili, per cui non devono essere abbandonate nell'ambiente. Per il riciclaggio corretto di questo prodotto, stacchi il motore dal resto dell'apparecchio di filtrazione.

1- GARANTIECERTIFIKAAT

ALGEMENE ASPEKTEN

- In overeenkomst met de voorliggende bepalingen wordt door de verkoper gegarandeerd dat het produkt verkocht onder deze garantie ("het Produkt") geen enkel defekt vertoont op het moment van levering.
- De Garantieperiode voor het Produkt bedraagt twee (2) jaar en is geldig vanaf het moment dat het Produkt aan de koper geleverd wordt.
- Indien er zich een defekt aan het Produkt zou voordoen en de koper dit zou mededelen aan de verkoper gedurende de geldige Garantieperiode, dan zal de verkoper het Produkt repareren of laten repareren op zijn eigen kosten alwaar de verkoper dit geschikt zou achten, behalve in het geval dat dit onmogelijk of buitensporig zou zijn.
- Indien het Produkt niet gerepareerd of vervangen kan worden, dan kan de koper na verhouding prijsreductie aanvragen, of, indien het defekt belangrijk genoeg is, de ontbinding van het verkoopcontract aanvragen.
- Die delen van het Produkt die onder deze Garantie vervangen of gerepareerd zijn, kunnen de duur van de Garantieperiode voor het oorspronkelijke Produkt niet verlengen, maar zullen beschikken over een eigen garantie.
- Voor de toepassing van deze garantie moet de koper de aankoopdatum en de levering van het Produkt kunnen aantonen.
- Indien er meer dan zes maanden verlopen zijn sinds de levering van het Produkt aan de koper, en deze plotseling aangeeft dat het Produkt niet aan de eisen voldoet, dan zal de koper de oorsprong en het bestaan van de volgens hem bestaande defecten moeten kunnen aantonen.
- Dit Garantiecertificaat beperkt of veroordeelt niet bij voorbaat de rechten die de gebruikers hebben en die gebaseerd zijn op nationale normen.

BIJZONDERE VOORWAARDEN

- Deze garantie dekt de produkten waarnaar deze handleiding verwijst.
- Het huidige Garantiecertificaat is slechts van toepassing in landen van de Europese Unie.
- Voor de toepassing van deze garantie en in geval deze garantie van toepassing is al naar gelang de serie en het model van het Produkt, moet de koper de aanwijzingen van de Fabrikant in de documenten die bij het Produkt bijgesloten zijn, strikt opvolgen.
- Indien er een tijdsperiode vastgesteld wordt voor de vervanging, het onderhoud of het reinigen van verschillende delen of onderdelen van het Produkt, dan is de garantie alleen geldig in geval deze tijdsperiode strikt aangehouden is.

BEPERKINGEN

- De huidige garantie is uitsluitend geldig bij verkoop aan gebruikers, waarbij onder "gebruiker" verstaan wordt een persoon die het Produkt aanschaft met een doel dat niet binnen het gebied van zijn professionele activiteiten valt.
- Er bestaat geen garantie in verband met normale slijtage bij gebruik van het Produkt. Wat betreft de delen, componenten en/of vervangbare of verbruiksmaterialen zoals batterijen, gloeilampen, enz. zal men zich moeten richten naar hetgeen in de documenten staat die het Produkt vergezellen.
- De garantie dekt niet de gevallen waarbij het Produkt (i) onderhevig is geweest aan ongepast gebruik, (ii) gerepareerd, onderhouden of gemanipuleerd is door een persoon die daarvoor geen toestemming heeft, of (iii) gerepareerd of onderhouden is met niet oorspronkelijke onderdelen. Indien het defekt van het Produkt het gevolg is van een incorrecte installering of ingebruikneming, dan is deze garantie slechts van toepassing indien de installering of ingebruikneming in kwestie in het contract van koop en verkoop van het produkt opgenomen is en door de verkoper of onder diens verantwoordelijkheid uitgevoerd is.

2- EEN DOORGESTREEPTE AFVALCONTAINER MET WIELEN

- Teneinde het afval afkomstig van elektrische en elektronische apparaten en de schadelijke effecten van de diverse onderdelen te verminderen, het hergebruik van apparaten en de evaluatie van de effecten van het afval te bevorderen, en een gepast beheer en de bescherming van het milieu te bevorderen, zijn een aantal regels vastgesteld aangaande de fabricage van dit product alsmede de correcte milieubewuste verwerking van het apparaat wanneer het eenmaal wordt afgevoerd.
- Bovendien is het de bedoeling de milieubewuste verwerking door alle agenten die bij de gebruikscyclus van de elektrische en elektronische apparaten betrokken zijn te verbeteren, zoals bijvoorbeeld leveranciers, distributeurs, gebruikers, en in het bijzonder de agenten die direct betrokken zijn bij de verwerking van het afval afkomstig van deze apparaten.
- Met ingang van 13 augustus 2005 kunt u uit twee mogelijkheden kiezen wanneer u dit apparaat wilt weggooien:
- Wanneer u een nieuw exemplaar aanschaft van een vergelijkbaar type of dat dezelfde functies verricht als het weg te gooien exemplaar, kunt u het oude exemplaar zonder kosten bij de distributeur inleveren bij de aankoop van het nieuwe
- Of u kunt het naar de afvalverwerking brengen volgens de voorschriften van de lokale overheid.
- Wij zullen de kosten van deze handelingen op ons nemen.
- De apparaten zijn voorzien van een etiket met het symbool van "een doorgestreepte afvalcontainer met wielen"; dit symbool geeft aan dat het apparaat niet met het gewone afval gemengd en apart verwerkt moet worden.
- Onze producten zijn ontworpen en gefabriceerd op basis van materialen en onderdelen van hoge kwaliteit die het milieu ontzien en die hergebruikt en gerecycled kunnen worden. Desondanks zijn de diverse onderdelen van dit product niet biologisch afbreekbaar, zodat deze niet in het milieu achtergelaten mogen worden. Om dit produkt korrekt te recyclen, relieve de elektrische motor van de Filterset los maken.



1- CERTIFICADO DE GARANTIA

CONDIÇÕES GERAIS

- De acordo com estas disposições, o vendedor garante que, no momento da entrega, o produto correspondente a esta garantia ("o Produto") não apresenta nenhum tipo de falta de conformidade.
- O Período de Garantia para o Produto é de dois (2) anos, contados a partir da data de entrega ao comprador.
- Se, durante o período de garantia, o comprador notificar ao vendedor alguma falta de conformidade do Produto, o vendedor deverá reparar ou substituir o Produto por sua conta no lugar onde considerar conveniente, salvo que isso seja impossível ou desmesurado.
- Quando não for possível reparar ou substituir o Produto, o comprador poderá solicitar uma redução proporcional do preço ou, se a falta de conformidade for o suficientemente grave, a rescisão do contrato de venda.
- As partes substituídas ou reparadas em virtude desta garantia não ampliarão o período de garantia do Produto original, mas disporão da sua própria garantia.
- Para que a presente garantia tenha efeito, o comprador deverá apresentar o comprovante da data de compra e de entrega do Produto.
- Se o comprador alegar uma falta de conformidade do Produto, passados mais de seis meses da data de entrega do mesmo, deverá demonstrar a origem e a existência do defeito alegado.
- O presente Certificado de Garantia não limita nem afecta os direitos dos consumidores derivados das normas nacionais de carácter imperativo.

CONDIÇÕES PARTICULARES

- A presente garantia cobre os produtos descritos neste manual.
- O presente Certificado de Garantia só será válido nos países da União Europeia.
- Para a eficácia desta garantia, o comprador deverá seguir rigorosamente as indicações do Fabricante contidas na documentação fornecida com o Produto, quando a mesma for aplicável em função da gama e do modelo do Produto.
- No caso de se estabelecer um calendário para a substituição, manutenção ou limpeza de determinadas peças ou componentes do Produto, a garantia só será válida se o citado calendário tiver sido cumprido rigorosamente.

LIMITAÇÕES

- A presente garantia só será válida para as vendas realizadas a consumidores, entendendo-se por "consumidor" a pessoa que comprar o Produto com fins não abrangidos no âmbito da sua actividade profissional.
- A garantia não cobre o desgaste normal derivado do uso do produto. Em relação às peças, componentes e/ou materiais fungíveis ou consumíveis como pilhas, lâmpadas, etc., terá efeito o disposto na documentação fornecida com o Produto, em cada caso.
- Esta garantia não abrange as seguintes situações: (I) Se o Produto tiver sido objecto de um uso incorrecto; (II) tiver sido reparado, sofrido manutenção ou manipulado por pessoas não autorizadas ou (III) tiver sido reparado ou as suas peças substituídas por peças não originais. Quando a falta de conformidade do Produto for consequência de uma instalação ou colocação em funcionamento incorrecta, a presente garantia só será válida se a referida instalação ou colocação em funcionamento estiver incluída no contrato de compra-venda do Produto e tiver sido realizada pelo vendedor ou sob sua responsabilidade.

2- CONTENTOR DE LIXO COM RODAS BARRADO COM UMA CRUZ



- Com o objectivo de reduzir a quantidade de resíduos dos equipamentos eléctricos e electrónicos, a perigosidade dos componentes, fomentar a reutilização dos equipamentos, a valorização dos seus resíduos e determinar uma gestão adequada tratando de melhorar a eficácia da protecção ambiental, estabeleceu-se uma série de normas aplicáveis ao fabrico do produto e outras relativas à correcta gestão ambiental quando se transformam em resíduos.
- Do mesmo modo, pretende-se melhorar o comportamento ambiental de todos os agentes que intervêm no ciclo de vida dos equipamentos eléctricos e electrónicos, como são os produtores, os distribuidores, os utilizadores e, em particular, o dos agentes directamente implicados na gestão dos resíduos derivados destes equipamentos.
- A partir do dia 13 Agosto de 2005, quando quiser desfazer-se deste aparelho, tem duas possibilidades de devolução:
- Se adquirir um novo aparelho que seja de tipo equivalente ou que realize as mesmas funções que o que está a deitar fora, poderá entregá-lo ao distribuidor, sem custo, no acto da compra;
- Poderá levá-lo ao local destinado pelas diferentes entidades locais.
- Nós assumiremos os custos de gestão.
- Os equipamentos são rotulados com o símbolo de um "contentor de lixo com rodas barrado com uma cruz", que indica a necessidade de recolha selectiva e diferenciada do resto dos lixos urbanos.
- Os nossos produtos são concebidos e fabricados com materiais e componentes de alta qualidade, respeitadores do ambiente, que podem ser reutilizados e reciclados. No entanto, as diferentes partes que compõem este produto não são biodegradáveis e, portanto, não devem ser abandonadas no meio ambiente. Para a reciclagem correcta deste equipamento, por favor separe o motor eléctrico do resto do aparelho de filtração.



Manufacturas GRE S.A.

Aritz Bidea nº57
Belako Industrialdea, Apdo 69
48100 Mungia (Bizkaia) España
Tel. (34) 946 741 116
Fax: (34) 946 741 708
www.grepool.es

RBR60

EVIDENCE OF CONFORMITY / DECLARACIÓN DE CONFORMIDAD / DÉCLARATION DE CONFORMITÉ / KONFORMITÄTSEKTLÄRUNG / DICHIARAZIONE DI CONFORMITÀ / OVEREENSTEMMINGSVERKLARING / DECLARAÇÃO DE CONFORMIDADE.

-The products listed above are in compliance with the safety prescriptions:

- 2014/30/EU Electromagnetic compatibility Directive.
- 2014/35/EU Low voltage Directive.
- 2011/65/EU European Directive (RoHS).
- EU REACH Regulation 1907 /2006.
- 2012/19/EU WEEE Directive.

-Los productos arriba enumerados se hallan conformes con:

- Directiva de compatibilidad electromagnética 2014/30/EU.
- Directiva de equipos de baja tensión 2014/35/EU.
- Directiva Europea 2011/65/EU (RoHS).
- Reglamento REACH 1907 /2006.
- Directiva WEEE 2012/19/EU.

-Les produits énumérés ci-dessus sont conformes aux prescriptions de sécurité:

- Directive de compatibilité électromagnétique 2014/30 / UE.
- Directive basse tension 2014/35 / UE.
- Directive européenne 2011/65 / UE (RoHS).
- Règlement UE REACH 1907/2006.
- Directive WEEE 2012/19 / UE.

- Die obenangeführten Produkte entsprechen den Sicherheitsbestimmungen:

- Richtlinie 2014/30/UE über elektromagnetische Verträglichkeit.
- Richtlinie 2014/35/UE über die Sicherheit von elektrischen Betriebsmitteln (Niederspannungsrichtlinie).
- Europäischen Richtlinie 2011/65/EU (RoHS).
- REACH Verordnung 1907/2006.
- 2012/19 / EU WEEE-Richtlinie.

-I prodotti su elencati sono conformi al quanto segue:

- Direttiva sulla compatibilità elettromagnetica 2014/30/UE.
- Direttiva apparecchiatura in bassa tensione 2014/35/UE.
- Direttiva Europea 2011/65/UE (RoHS).
- Regolamento REACH 1907/2006.
- Direttiva WEEE 2012/19 / UE.

-De bovengenoemde producten zijn conform de zekerheidsrichtlijnen:

- De richtlijn betreffende elektromagnetische compatibiliteit 2014/30/UE.
- De laagspanningsrichtlijn 2014/35/EU.
- Europese Richtlijn 2011/65/EU.
- Europese REACH Verordening 1907/2006/EG.
- WEEE-richtlijn 2012/19 / UE.

-Os produtos da lista acima estão conformes as:

- Directiva de compatibilidade electromagnética 2014/30/UE.
- Directiva de equipamentos de baixa tensão 2014/35/UE.
- Directiva Europeia 2011/65/UE (RoHS).
- Regulamento REACH 1907/2006.
- Directiva WEEE 2012/19 / UE.

Sign the present conformity evidence / Firma la presente declaración/ Signe la presente déclaration / Unterzeichnet diese Erklärung / Firma la seguente dichiarazione / Ondertekent onderhavigeverklaring / Assina a presente declaração:

Mungia 29 December 2020

Angel Elorduy
General Manager

If You Have Any Problem, Contact Us!		www.grepool.com/en/after-sales
Si Tienes Algun Problema, ¡Consultenos!	España	www.grepool.com/post-venta
En Cas De Probleme, Nous Consulter!	France/ Belgie	www.grepool.com/fr/apres-vente
Sollten Sie Probleme Haben, Zögern Sie Bitte Nicht, Uns Zu Kontaktieren!	Deutschland	www.grepool.com/de/kundenservice
Per Ogni Vostra Eventuale Occorrenza, Interpellateci!	Italia	www.grepool.com/it/post-vendita
Em Caso De Problema, ¡Consultar-Nos!	Portugal	www.grepool.com/post-venta
Mocht U Een Probleem Hebben, ... ¡Raadpleeg Ons!	Nederlands	+31 513 62 66 66 service@aqua-fun.info
W razie problemów, skontaktuj się z nami	Poland	www.grepool.com/en/after-sales

DISTRIBUTED BY / DISTRIBUIDO POR /
 DISTRIBUÉ PAR / VERTRIEB DURCH /
 DISTRIBUITO DA / GEDISTRIBUEERD DOOR /
 DISTRIBUÍDO POR / WYPRODUKOWANY PRZEZ:
MANUFACTURAS GRE, S.A.
ARITZ BIDEA Nº 57 BELAKO INDUSTRIALDEA, APARTADO 69
48100 MUNGUIA (VIZCAYA) ESPAÑA
Nº Reg. Ind. 48-06762

- We reserve the right to change all or part of the articles or contents of this document, without prior notice
- Nos reservamos el derecho de cambiar total o parcialmente las características de nuestros artículos o el contenido de este documento sin previo aviso
- Nous nous réservons le droit de modifier totalement ou en partie les caractéristiques de nos articles ou le contenu de ce document sans préavis
- Wir behalten uns das Recht vor, die technischen Daten unserer Artikel oder den Inhalt dieses Dokumentes ohne vorherigen Hinweis ganz oder teilweise zu ändern
- Ci riserviamo il diritto di cambiare totalmente o parzialmente le caratteristiche tecniche dei nostri prodotti ed il contenuto di questo documento senza nessun preavviso
- Wij behouden ons het recht voor geheel of gedeeltelijk de kenmerken van onze artikelen of de inhoud van deze handleiding zonder voorafgaand bericht te wijzigen
- Reservamo-nos o direito de alterar, total ou parcialmente, as características dos nossos artigos ou o conteúdo deste documento sem aviso prévio.
- Zastrzegamy sobie prawo do zmiany w całości lub części niniejszej instrukcji bez uprzedniej informacji

DISTRIBUTED BY / DISTRIBUIDO POR / DISTRIBUÉ PAR / VERTRIEB DURCH / DISTRIBUITO DA / GEDISTRIBUEERD DOOR / DISTRIBUÍDO POR:
MANUFACTURAS GRE, S.A. ARITZ BIDEA Nº 57 BELAKO INDUSTRIALDEA, APARTADO 69 - 48100 MUNGUIA (VIZCAYA) ESPAÑA Nº Reg. Ind. 48-06762
MADE IN CHINA / FABRICADO EN CHINA / FABRIQUÉ AU CHINE / HERGESTELLT IN CHINA / PRODOTTO IN CHINA / GEPRODUCEERD IN CHINA / FABRICADO NA RPC