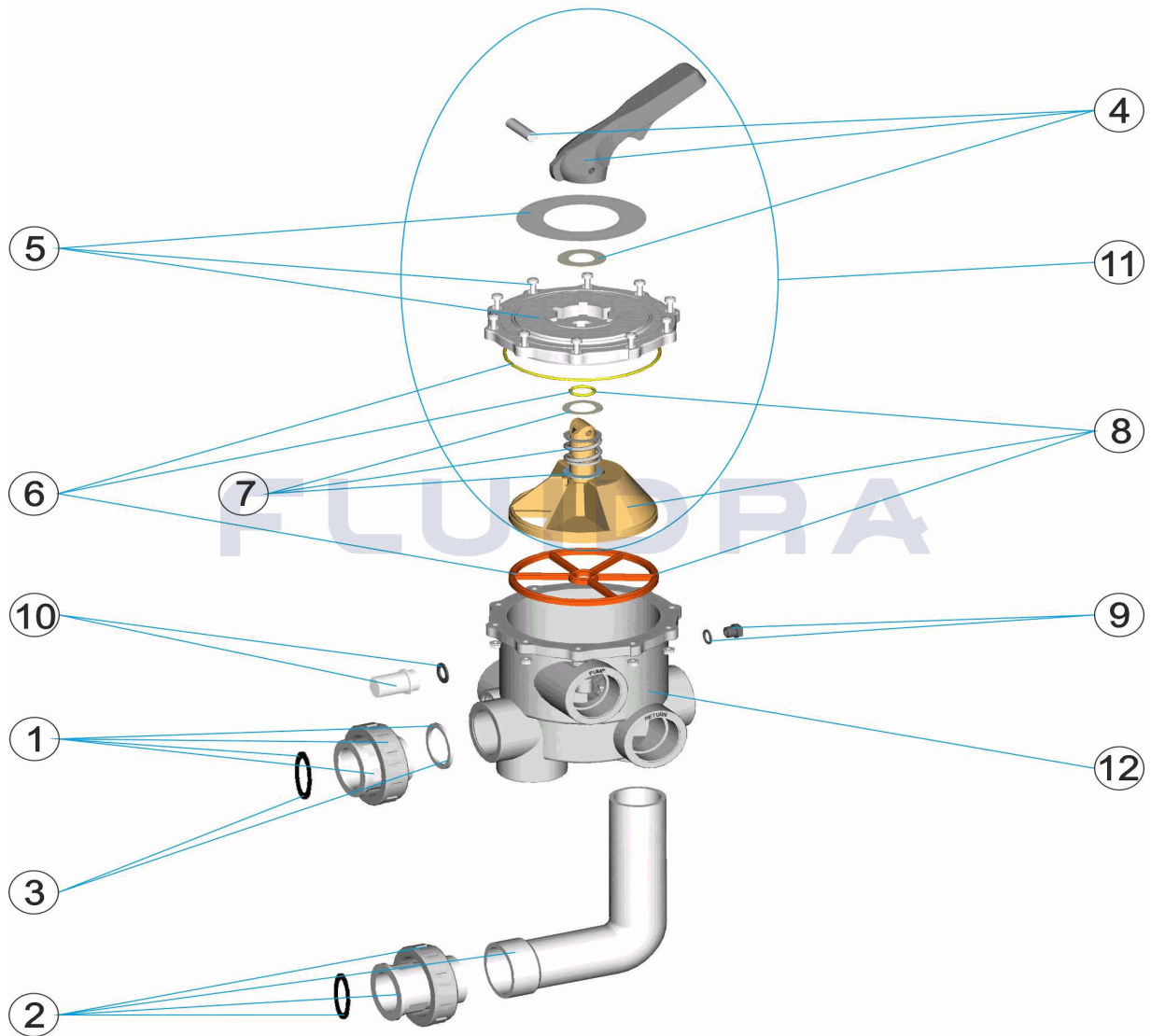


CODIGO **07444**

DESCRIPCION: **VALVULA SELECTORA CON ENLACES 2"**

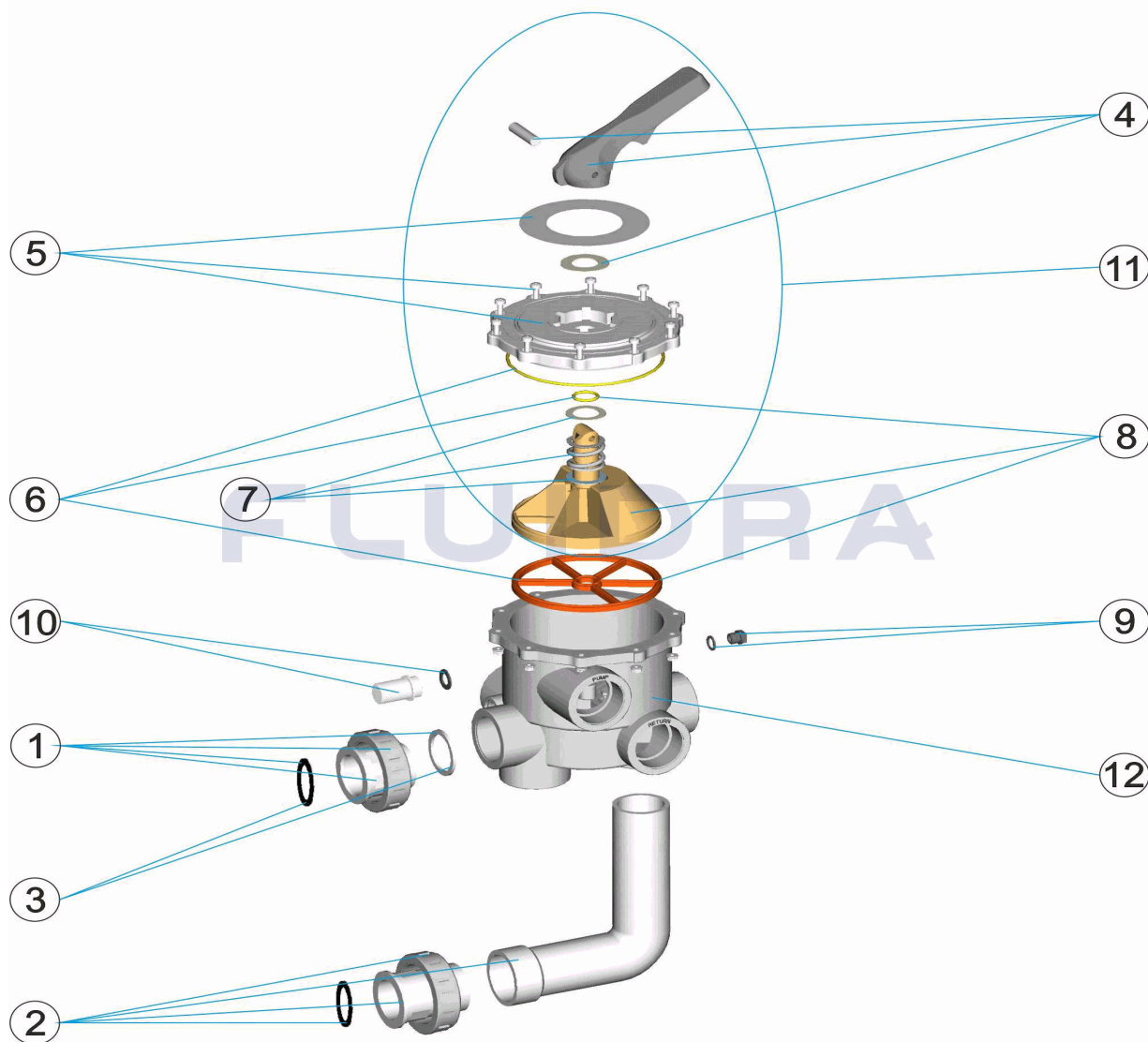


ESPAÑOL

POS	CODIGO	DESCRIPCION	CANTIDAD	POS	CODIGO	DESCRIPCION	CANTIDAD
1	4404120501	ENLACE RECTO BLANCO 2' NUEVO		6	4404120407	JUNTAS VALVULA 2'	
1	4404120502	ENLACE RECTO NEGRO 2' NUEVO		7	4404120105	RESORTE CON ARANDELAS	
2	4404120503	ENLACE ACODADO BLANCO 2' NUEVO		8	4404120406	DISTRIBUIDOR CON JUNTAS 2' NUEVO	
2	4404120504	ENLACE ACODADO NEGRO 2' NUEVO		9	4404121107	TAPON 1/4' VALVULA	
3	4404120505	JUNTAS ENLACE 2'		10	4404120108	VISOR CON JUNTA	
4	4404120402	MANETA NEGRA VALVULA 2'		11	4404120410	TAPA DISTRIBUIDOR NEGRA 2' NUEVA	
5	4404120403	TAPA CON CARATULA NEGRA 2'		12	07444R0101	CUERPO NEGRO 2" POSICION 3 CON RAC	

CODE **07444**

DESCRIPTION: **SÉLECTEUR AVEC LIENS 2"**

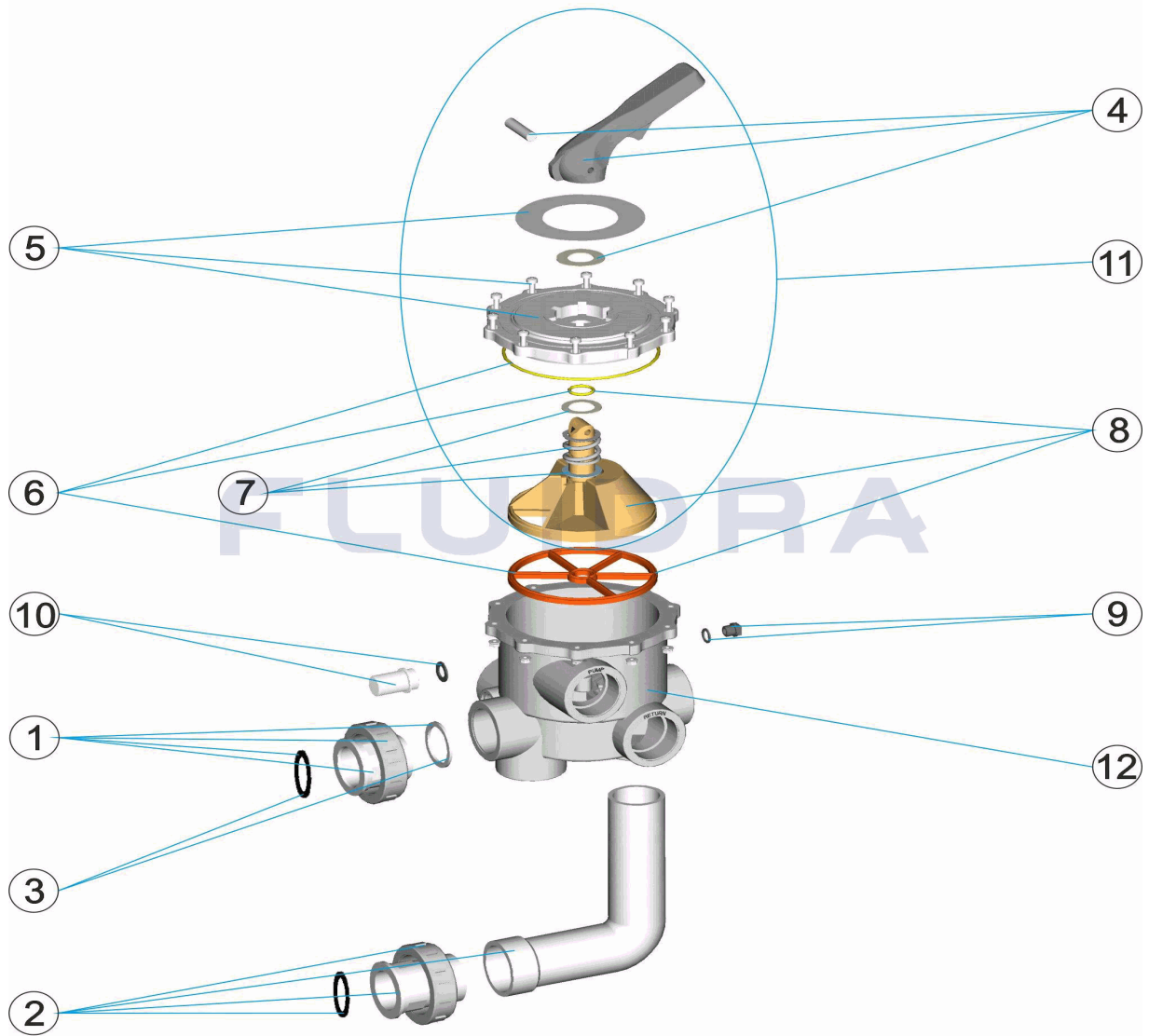


FRANCAIS

POS	CODE	DESCRIPTION	QUANTITE	POS	CODE	DESCRIPTION	QUANTITE
1	4404120501	SORTIE DROITE BLANCHE 2" NOUVEAU MI		6	4404120407	JOINTS DE VANNE 2"	
1	4404120502	SORTIE DROITE NOIRE 2" NOUVEAU MODI		7	4404120105	RESSORT ET RONDELLES	
2	4404120503	SORTIE COUDEE BLANCHE 2" NOUVEAU M		8	4404120406	BOISSEAU AVEC JOINTS 2"	
2	4404120504	SORTIE COUDEE NOIRE 2" NOUVEAU MOE		9	4404121107	BOUCHON 1/4" DE VANNE	
3	4404120505	JOINTS DE SORTIES 2"		10	4404120108	VOYANT ET JOINT	
4	4404120402	POIGNEE NOIRE 2"		11	4404120410	COUVERCLE NOIR ET BOISSEAU 2" NOUVI	
5	4404120403	COUVERCLE NOIR 2" ET VIS		12	07444R0101	CORPS NOIR AVEC RACCORD	

CODE **07444**

DESCRIPTION: **SELECTOR VALVE WITH LINKS 2"**

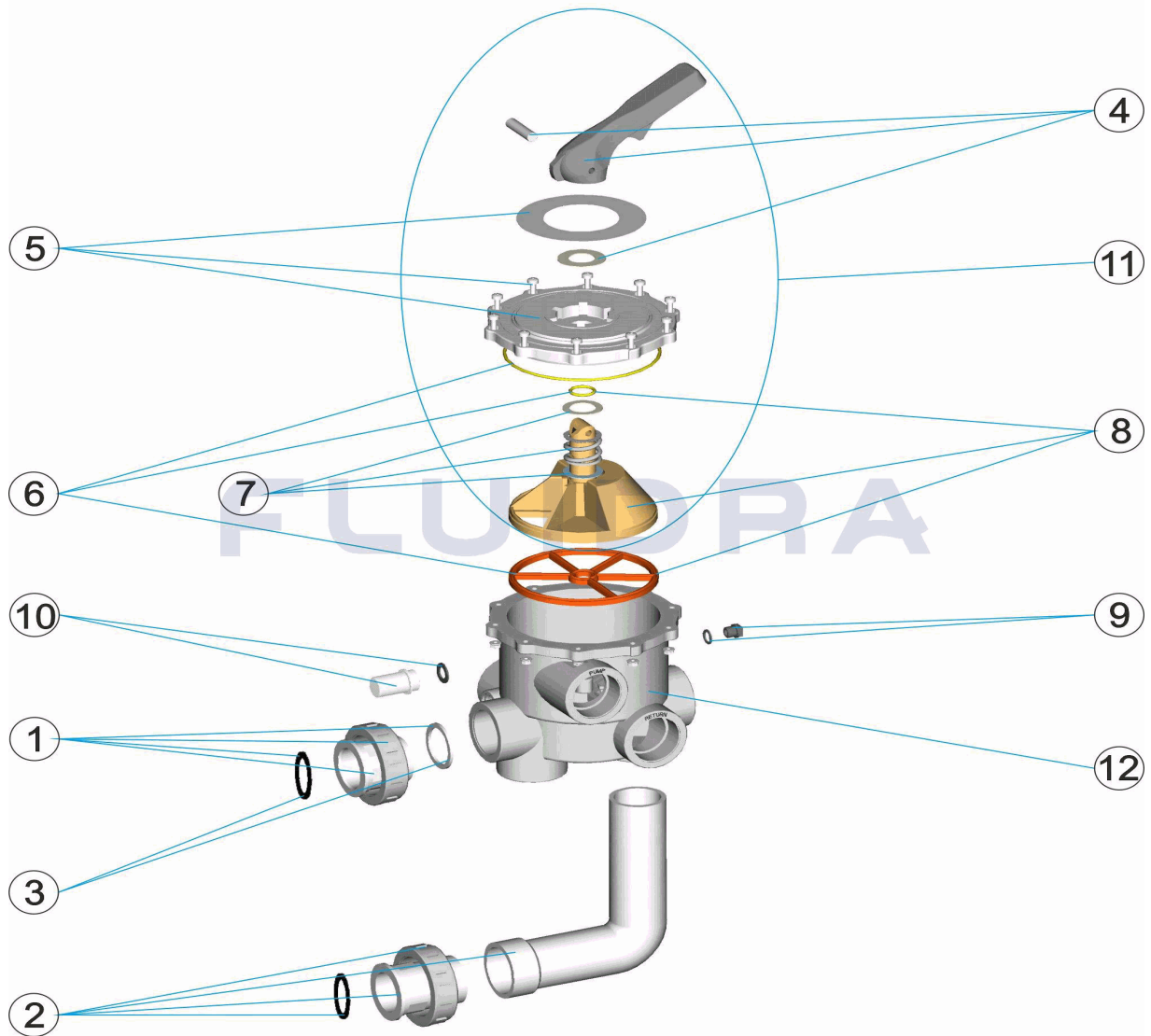


ENGLISH

POS	CODE	DESCRIPTION	QUANTITY	POS	CODE	DESCRIPTION	QUANTITY
1	4404120501	UNION WHITE 2" NEW		6	4404120407	GASKETS 2"	
1	4404120502	UNION BLACK 2" NEW		7	4404120105	SPRING WITH WASHERS	
2	4404120503	ELBOW WHITE 2" NEW		8	4404120406	DISTRIBUTOR WITH GASKETS 2" NEW	
2	4404120504	ELBOW BLACK 2" NEW		9	4404121107	PLUG 1/4"	
3	4404120505	UNION SEALS 2"		10	4404120108	VISOR WITH SEAL	
4	4404120402	BLACK HANDLE 2"		11	4404120410	TOP ASSEMBLY BLACK 2" NEW	
5	4404120403	BLACK TOP 2"		12	07444R0101	BLACK SELECTOR VALVE BODY WITH FITT	

CODICE **07444**

DESCRIZIONE: **VALVOLA SELETRICE CON COLLEGAMENTI 2"**

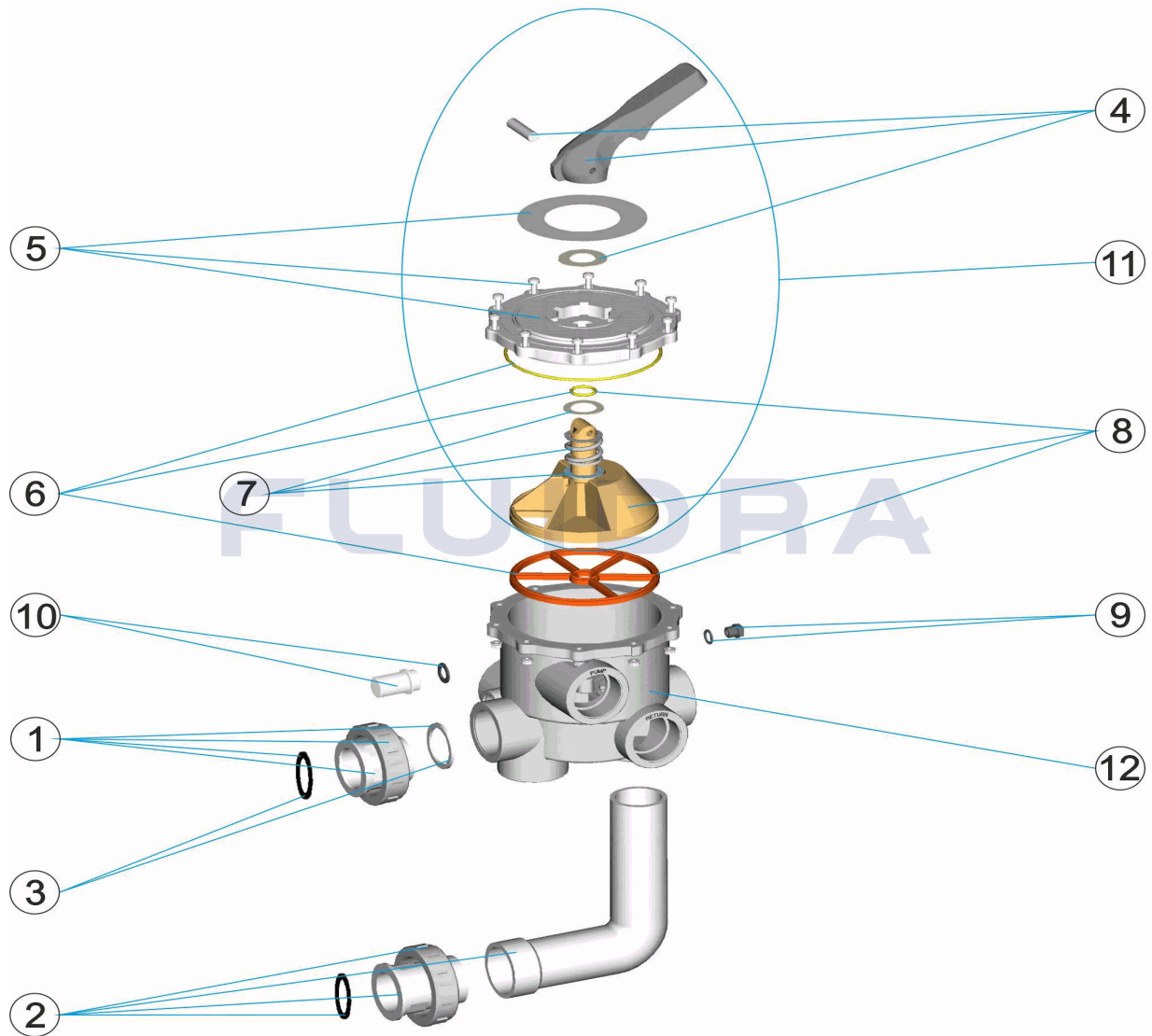


ITALIANO

POS	CODICE	DESCRIZIONE	QUANTITA'	POS	CODICE	DESCRIZIONE	QUANTITA'
1	4404120501	GUARNIZIONE PER RACCORDO 2" BIANC		6	4404120407	GUARNIZIONI VALVOLA 2'	
1	4404120502	GUARNIZIONE PER RACCORDO 2" NER "		7	4404120105	MOLLA CON RONDELLA	
2	4404120503	RACCORDO A GOMITO BIANCO 2' NUOVO		8	4404120406	DISTRIBUTORE CON GUARNIZIONI 2' NUO	
2	4404120504	RACCORDO A GOMITO NERO 2' NUOVO		9	4404121107	COPERCHIO 1/4' VALVOLA	
3	4404120505	GUARNIZIONE PER RACCORDO 2'		10	4404120108	VISORE CON GUARNIZIONE	
4	4404120402	MANIGLIA NERA PER VALVOLA 2"		11	4404120410	COPERCHIO DI DISTRIBUZIONE NERO 2' N	
5	4404120403	COPERCHIO CON MASCHERA NERA 2'		12	07444R0101	CORPO POS.3 NERO CON RACCORDO	

CODE **07444**

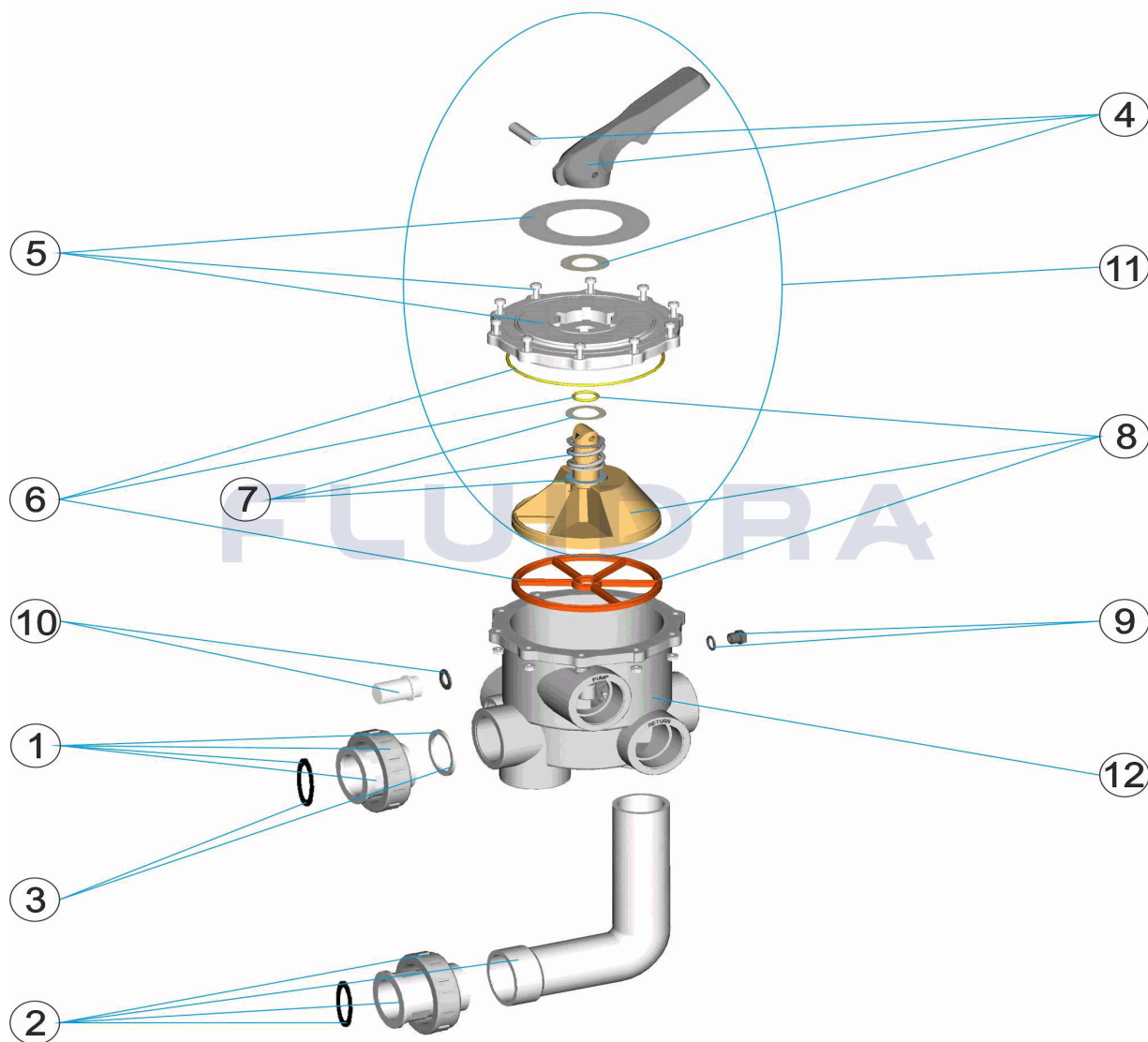
BESCHREIBUNG: **MEHRWEGVENTIL MIT ANSCHLÜSSEN 2"**



DEUTSCH

POS	CODE	BESCHREIBUNG	MENGE	POS	CODE	BESCHREIBUNG	MENGE
1	4404120501	ANSCHLUSS GERADE WEISS 2' NEUVERS		6	4404120407	VENTILDICHTUNGEN 2'	
1	4404120502	ANSCHLUSS GERADE SCHWARZ 2' NEUVE		7	4404120105	FEDER MIT UNTERLEGSCHIEBEN	
2	4404120503	ANSCHLUSSWINKEL WEISS 2' NEUVERSIC		8	4404120406	VERTEILER UND DICHTUNGEN 2' NEUVER!	
2	4404120504	ANSCHLUSSWINKEL SCHWARZ 2' NEUVEF		9	4404121107	STOPFEN 1/4' VENTIL	
3	4404120505	DICHTUNGEN ANSCHLUSS 2'		10	4404120108	SCHAUGLAS UND DICHTUNG	
4	4404120402	GRIFF SCHWARZ VENTIL 2'		11	4404120410	VERTEILERDECKEL SCHWARZ 2' NEUVERK	
5	4404120403	ABDECKUNG MIT BEDIENFELD SCHWARZ		12	07444R0101	GEHÄUSE SCHWARZ 2" POSITION 3 MIT GE	

CODIGO **07444**

 DESCRIÇÃO: **VÁLVULA SELECTORA COM LIGAÇÕES 2"**

PORTUGUES

POS	CODIGO	DESCRIÇÃO	JANTIDADE	POS	CODIGO	DESCRIÇÃO	JANTIDADE
1	4404120501	LIGAÇÃO RECTA BRANCA 2" NOVA		6	4404120407	JUNTAS VÁLVULA 2"	
1	4404120502	LIGAÇÃO RECTA PRETA 2" NOVA		7	4404120105	MOLA COM ANILHAS	
2	4404120503	LIGAÇÃO CURVA BRANCA 2" NOVA		8	4404120406	DISTRIBUIDOR COM JUNTAS 2" NOVO	
2	4404120504	LIGAÇÃO CURVA PRETA 2" NOVA		9	4404121107	TAMPÃO 1/4" VÁLVULA	
3	4404120505	JUNTAS LIGAÇÃO 2"		10	4404120108	VISOR COM JUNTA	
4	4404120402	MANIPULO PRETO VÁLVULA 2"		11	4404120410	TAMPA DISTRIBUIDORA PRETA 2" NOVA	
5	4404120403	TAMPA DA VÁLVULA PRETA 2"		12	07444R0101	CORPO POSIÇÃO 3 NEGRO COM RACORD	